

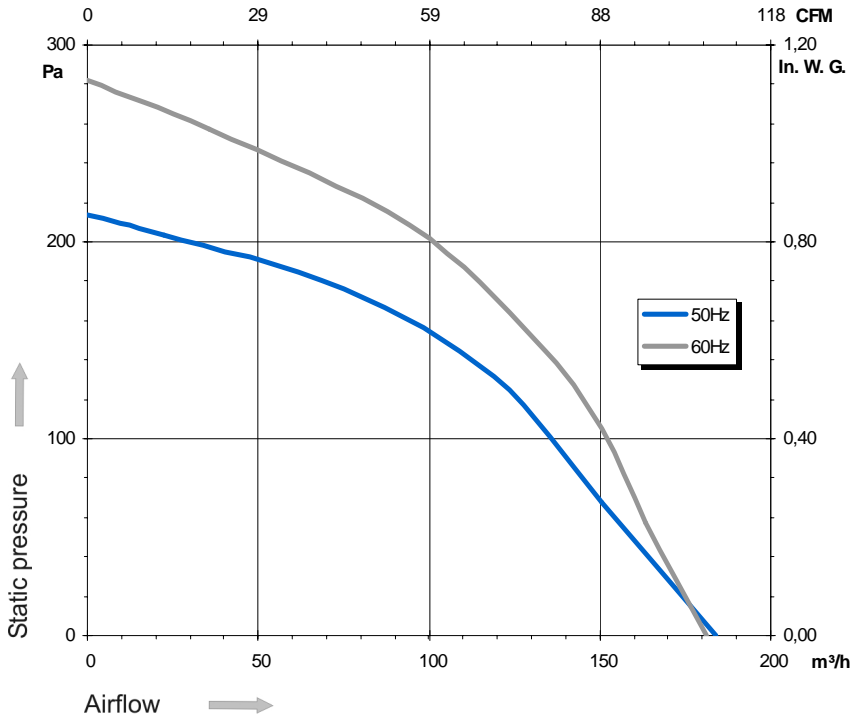
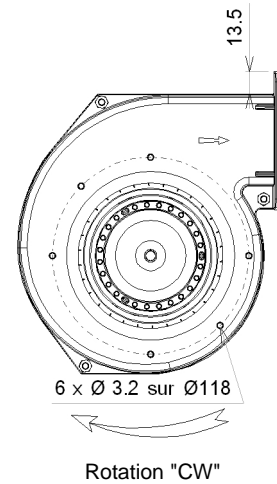
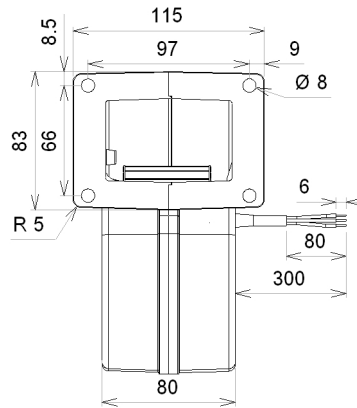
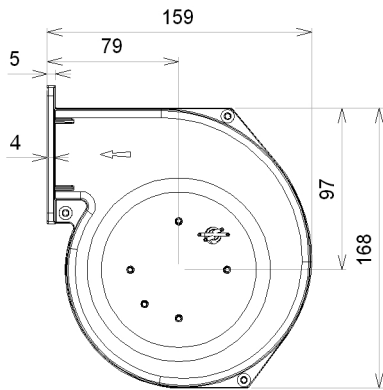
Ind. a - Revision : 07-2006

2GREA3 108x52R P/N E37-A0

Substitute for D25-A4

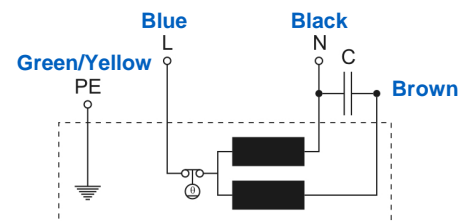


Voltage	Frequency	Input power	Current	Capacitor	Airflow	Speed rotation	Noise level	Rotation direction	Operating temperature
V	Hz	Wa	A	µF	m³/h	RPM	dBA	↻	Min / Max
230	50	40	0,18	1,5	185	2 215	51	R	-20°C / +70°C
230	60	49	0,22	1,5	180	2 255	51	R	-20°C / +70°C



- Ball bearing
- Class F, thermally protected
- IP44 protection
- G2.5 balancing
- Galvanized steel impeller
- Rotor : black paint
- UL94 V0 plastic scroll housing

Capacitor for 50Hz	Capacitor for 60Hz	Finguer guard
19005-0	19005-0	21367-a



Non contractual document. All specifications are subject to change without prior notice. Picture for information only.