



2RRE15 192x40R

B47-A1 p



**DATA SHEET**

release. d - Revision 12-2015

Replace I06-18 p

Voltage	Frequency	Input Power	Input Current	Capacitor	Airflow	Rotation speed	Acoustic level	Direction rotation	Admissible Temperature
V	Hz	W	A	µF	m³/h	RPM	dBA	↻	Min/Max
230	50	62	0,28	2,0	575	2510	60	R	-20°C / +70°C
230	60	76	0,34	2,0	625	2785	64	R	-20°C / +70°C
230	50				338 CFM				-4°F / 158°F
230	60				367 CFM				-4°F / 158°F



dBA : free blowing

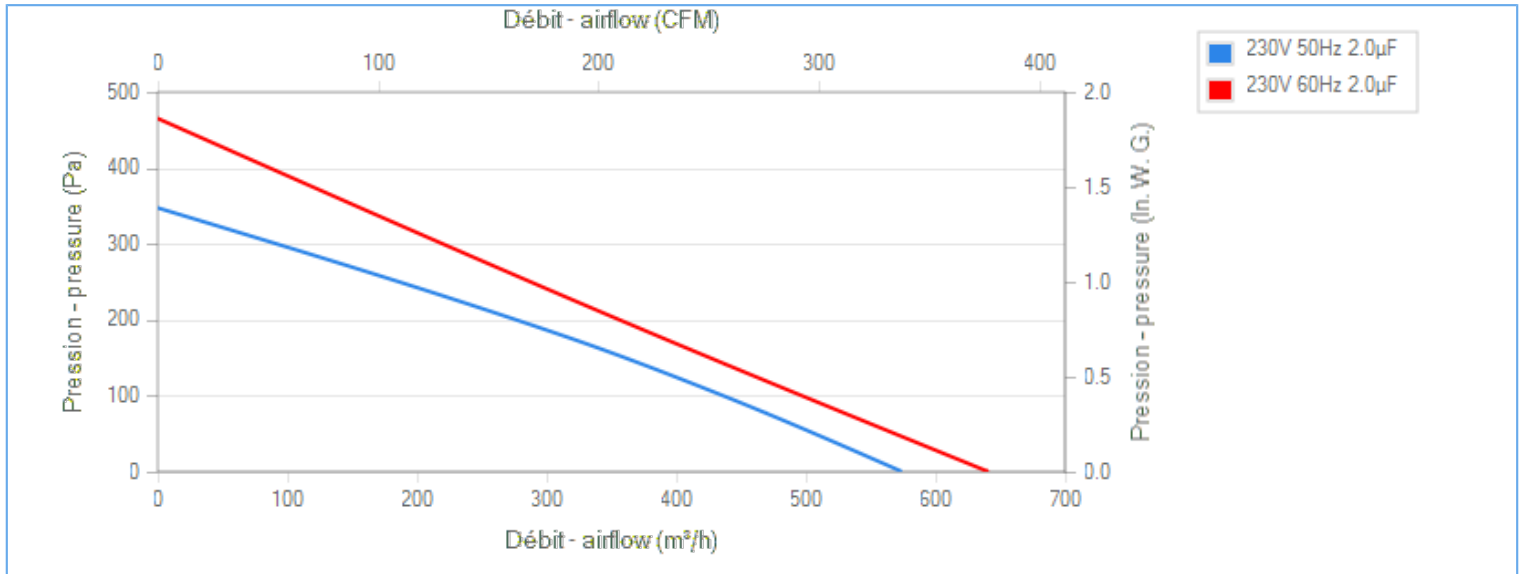
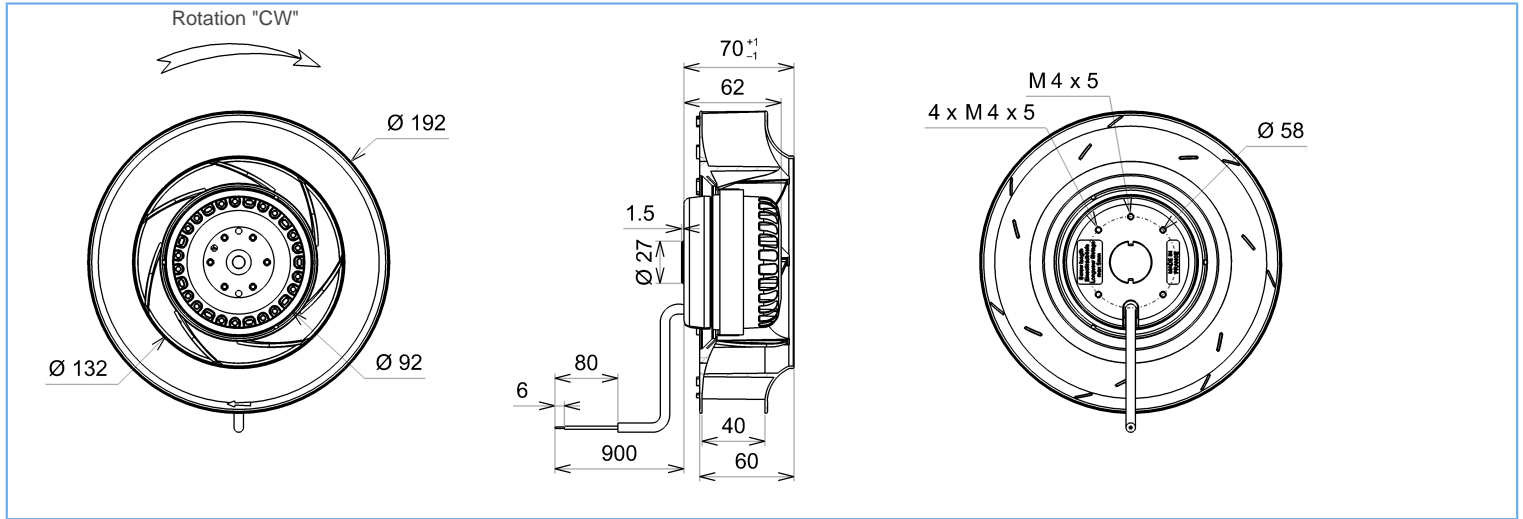
NA : not applicable

ErP 2013

NA

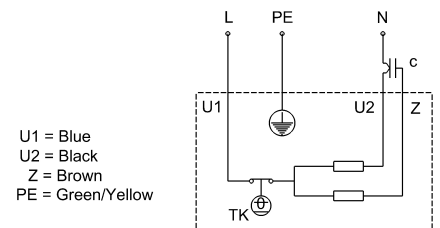
ErP 2015

NA



**Description**

- .Weight : 1,3 Kg
- .Ball bearing
- .Class F, thermally protected
- .IP44 protection depending on installation and position as per EN60034-5
- .G2.5 balancing
- .Rotor : black paint
- .PP plastic impeller





2RRE15 192x40R

B47-A1 p



**DATA SHEET**

release. d - Revision 12-2015

Replace I06-18 p

**Data in accordance to ErP directive**

Voltage	230	V
Frequency	50	Hz
Power	0,066	kW <sup>(1)</sup>
Airflow	316	m <sup>3</sup> /h <sup>(1)</sup>
Pressure	177	Pa <sup>(1)</sup>
Rotation speed	2395	RPM <sup>(1)</sup>

(1) at optimal efficiency point

ErP directive (EU 2009/125/EC) not applicable :  
Power at optimum energy efficiency point

**Accessories**

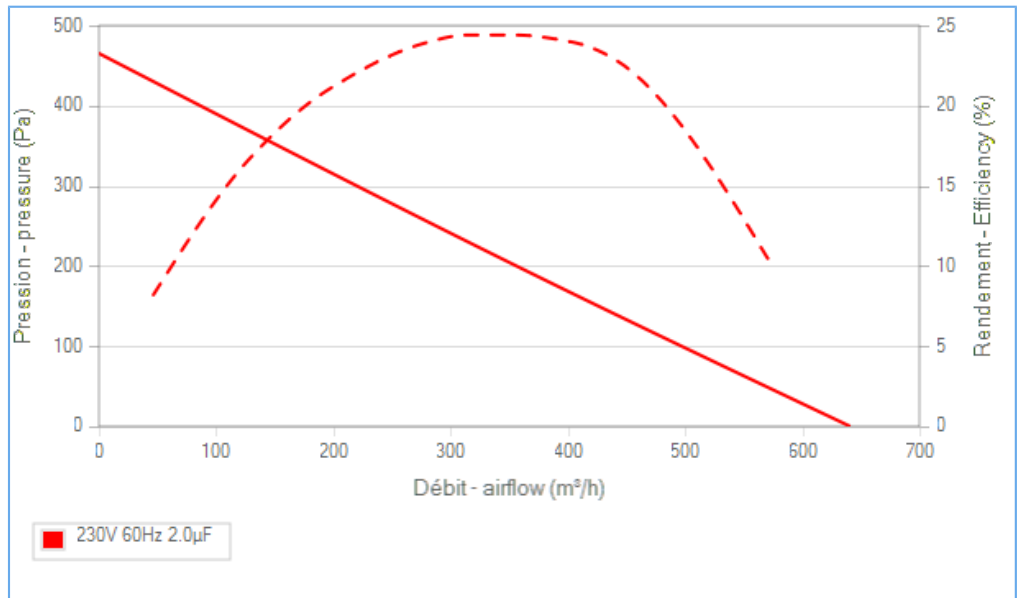
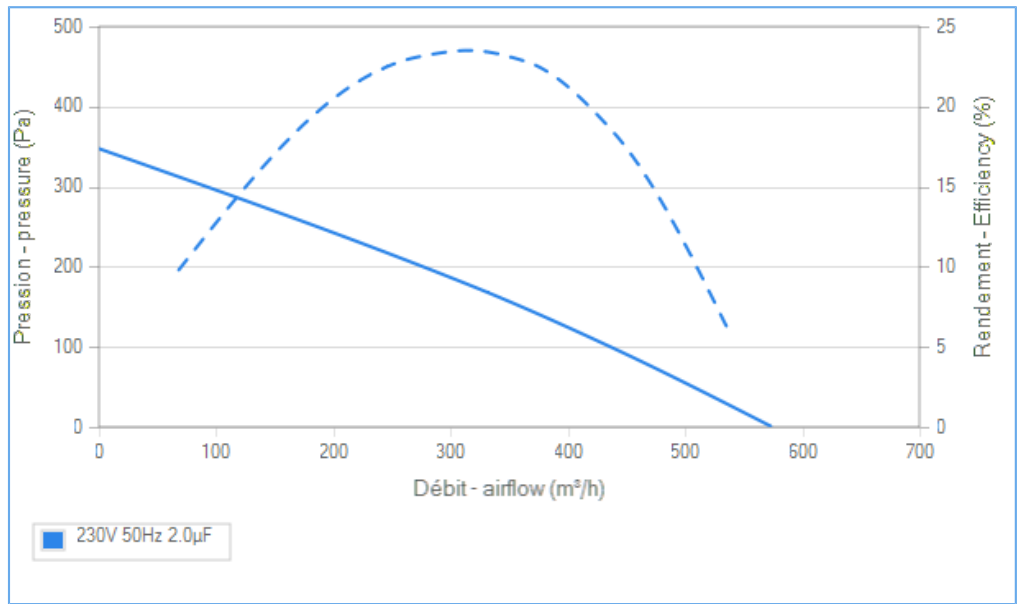
- 19008
- 19008
- 21181
- 16043

**Measurement setup**

- 16043 OUIE OG 128 GALVA

**Documents**

- Manuel d'utilisation  
[www.ecofit.com/site/normes](http://www.ecofit.com/site/normes)
- Operating and recycling manual  
[www.ecofit.com/anglais/normes](http://www.ecofit.com/anglais/normes)



Non contractual document. All specifications are subject to change without prior notice. Picture for information only.



A041865  
2RS915CN