

DC axial fan

Series 6200 N 172 Ø x 51 mm



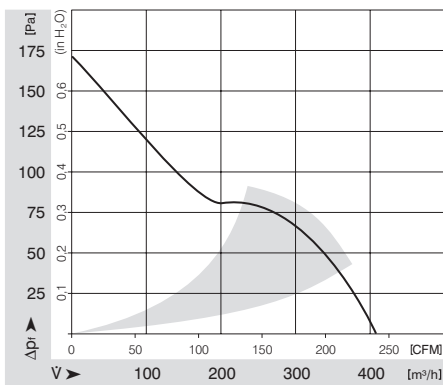
- **General description:** DC fan with electronically commutated external rotor motor. Commutation electronics completely integrated. Optional Vario-Pro: Highly flexible software configuration for the fan ensures an easily customizable solution to meet the individual requirements of your application.

- **Impeller material:** Fiberglass-reinforced PA plastic

- **Housing material:** Metal

Nominal data		Voltage	Voltage range VDC	Air flow	Speed	Power consumption	Sound level	Sound pressure level	Ambient temperature	L10 service life at 40 °C	L10 service life at max. temp.	Weight
Type	Motor	VDC	VDC	m³/h	1/min	W	Bel	dB(A)	°C	h	h	kg
6224 N	--	24	12 - 28	410	3400	18.0	6.1	55	-20 .. 72	75000	35000	0.820
Subject to modification												

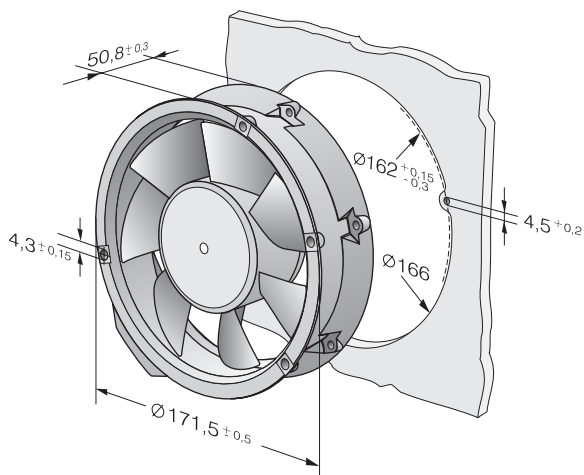
Characteristic: Pressure over air flow



DC axial fan

Series 6200 N 172 Ø x 51 mm

Specific drawing



Technical description

- **General description:** DC fan with electronically commutated external rotor motor. Commutation electronics completely integrated. Optional Vario-Pro: Highly flexible software configuration for the fan ensures an easily customizable solution to meet the individual requirements of your application.
- **Housing material:** Metal
- **Direction of rotation:** Left, looking at rotor
- **Electrical connection:** 2 flat plugs 3.0 x 0.5 mm. Housing with grounding lug for screw M4 x 8 (TORX).
- **Blocking protection:** Electronic blocking protection, with electronic motor current limit in the startup phase and when the rotor is blocked.
- **Option:** Vario-Pro fan, speed signal

- **Impeller material:** Fiberglass-reinforced PA plastic
- **Bearings:** Ball bearings
- **Direction of flow:** Air exhaust over bars
- **Motor protection:** With electronic reverse polarity protection. The fan runs only if the polarity is correct.
- **Approvals:** VDE, CSA, UL, CE

Contact

ebm-papst St. Georgen GmbH & Co. KG
Hermann-Papst-Straße 1
D-78112 St. Georgen
Phone +49 (0) 7724 / 81-0
Fax +49 (0) 7724 / 81-1309
info2@de.ebmpapst.com
www.ebmpapst.com