

**ebm-papst St. Georgen GmbH & Co. KG**

Hermann-Papst-Str. 1  
 D-78112 St. Georgen  
 Phone +49 (0) 7724 81-0  
 Fax +49 (0) 7724 81-1309  
 info2@de.ebmpapst.com  
 www.ebmpapst.com

**Nominal data**

Type	AC 4300 H	
Phase		1~
Nominal voltage	VAC	115
Nominal voltage range	VAC	85 .. 265
Frequency	Hz	50
Speed	min <sup>-1</sup>	3400
Power input	W	12
Min. ambient temperature	°C	-20
Max. ambient temperature	°C	70
Air flow	m <sup>3</sup> /h	204
Sound power level	B	6.4
Sound pressure level	dB(A)	51

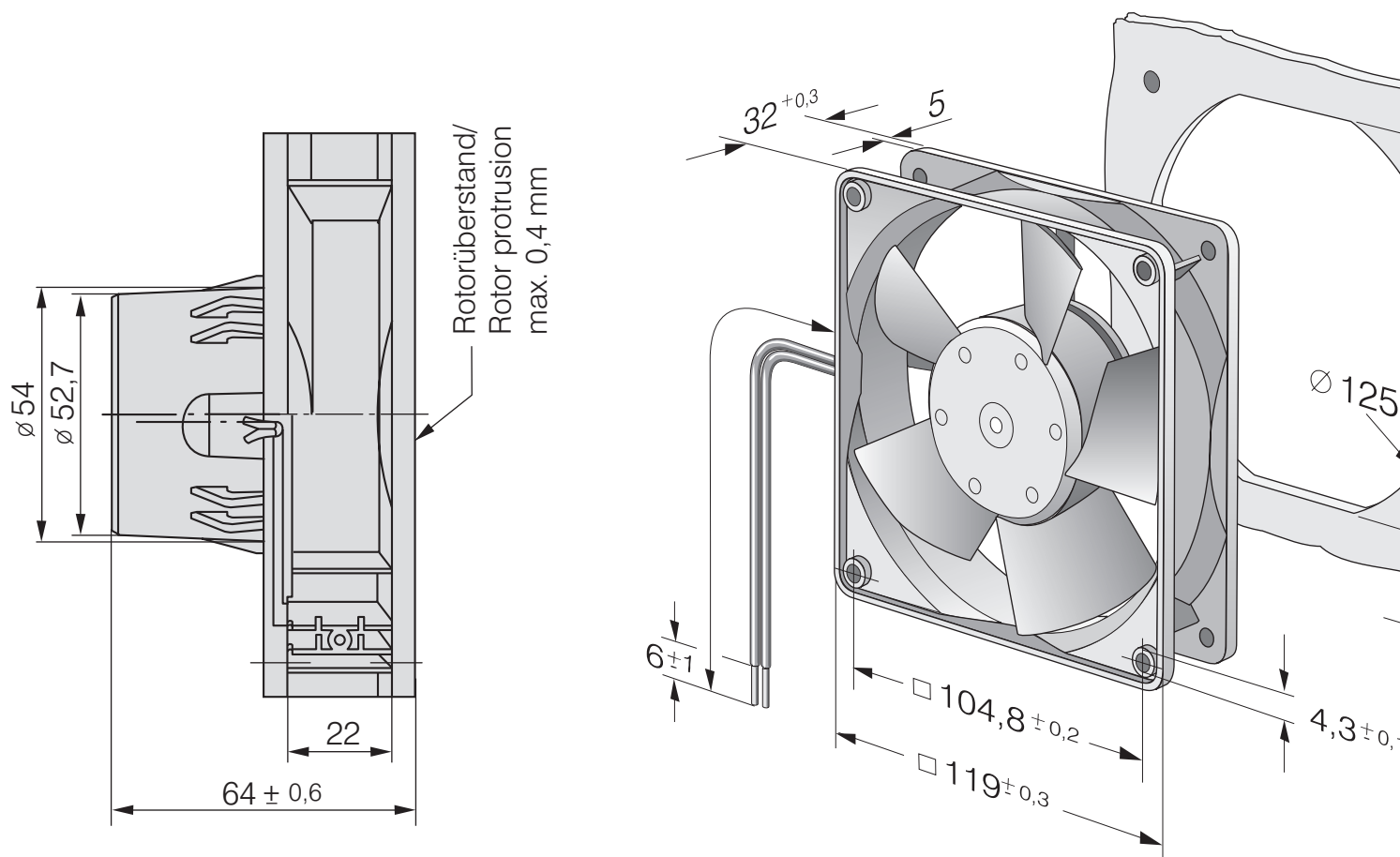
ml = Max. load · me = Max. efficiency · fa = Running at free air · cs = Customer specs · cu = Customer unit  
 Subject to alterations



**Technical features**

<b>General description</b>	Universally usable for all mains voltages between 85 and 265 VAC
<b>Housing material</b>	Fibreglass-reinforced plastic (PBTP)
<b>Mass</b>	0.325 kg
<b>Dimensions</b>	119 x 119 x 32 mm
<b>Material of impeller</b>	Fibreglass-reinforced plastic (PA)
<b>Direction of air flow</b>	Exhaust over struts
<b>Direction of rotation</b>	Right, looking at rotor
<b>Type of protection</b>	IP 21
<b>Bearing</b>	Ball bearings
<b>Lifetime L10 at 40 °C</b>	45000 h
<b>Lifetime L10 at maximum temperature</b>	22500 h
<b>Connection line</b>	With single strands AWG 22, TR 64
<b>Motor protection</b>	Protected against reverse polarity and locking.
<b>Approval</b>	UL, CSA, VDE
<b>Option</b>	Open loop speed control, sensor and alarm signal; improved moisture protection or protection class IP54

## Product drawing



Charts: Air flow

