

**ebm-papst St. Georgen GmbH & Co. KG**

Hermann-Papst-Str. 1
 D-78112 St. Georgen
 Phone +49 (0) 7724 81-0
 Fax +49 (0) 7724 81-1309
 info2@de.ebmpapst.com
 www.ebmpapst.com

Nominal data

Type	AC 8300 H	
Phase		1~
Nominal voltage	VAC	115
Nominal voltage range	VAC	85 .. 265
Frequency	Hz	50
Speed	min ⁻¹	5000
Power input	W	8.3
Min. ambient temperature	°C	-20
Max. ambient temperature	°C	75
Air flow	m ³ /h	80
Sound power level	B	6.2
Sound pressure level	dB(A)	48

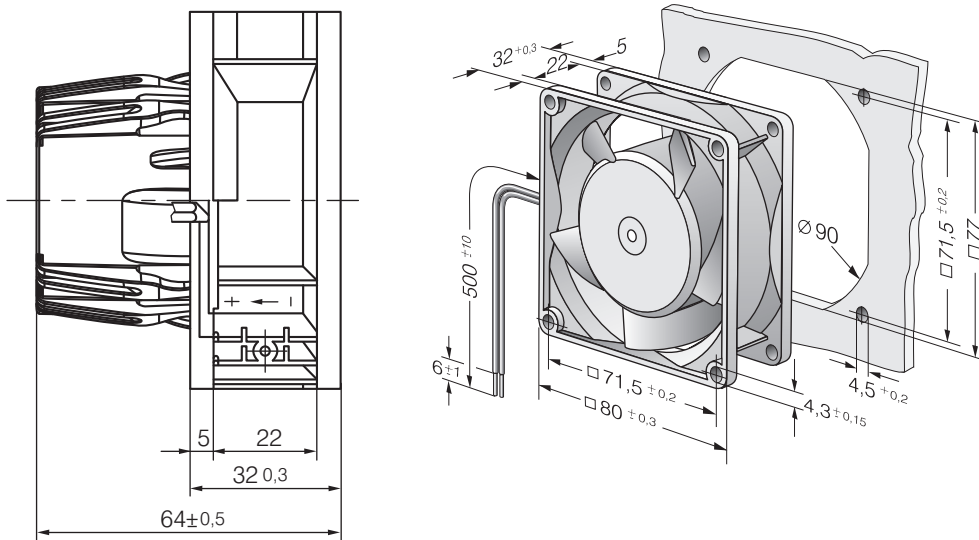
ml = Max. load · me = Max. efficiency · fa = Running at free air · cs = Customer specs · cu = Customer unit
 Subject to alterations



Technical features

General description	Universally usable for all mains voltages between 85 and 265 VAC
Housing material	Fibreglass-reinforced plastic (PBTP)
Mass	0.325 kg
Dimensions	80 x 80 x 32 mm
Material of impeller	Fibreglass-reinforced plastic (PA)
Direction of air flow	Exhaust over struts
Direction of rotation	Right, looking at rotor
Bearing	Ball bearings
Lifetime L10 at 40 °C	55000 h
Lifetime L10 at maximum temperature	25000 h
Connection line	With single strands AWG 22, TR 64
Locked-rotor protection	Protected against reverse polarity and locking.
Protection class	IP 54
Approval	VDE, CSA, UL, CE, CCC
Option	Open loop speed control, speed and alarm signal; improved moisture protection or protection class IP 54

Product drawing



Charts: Air flow

