

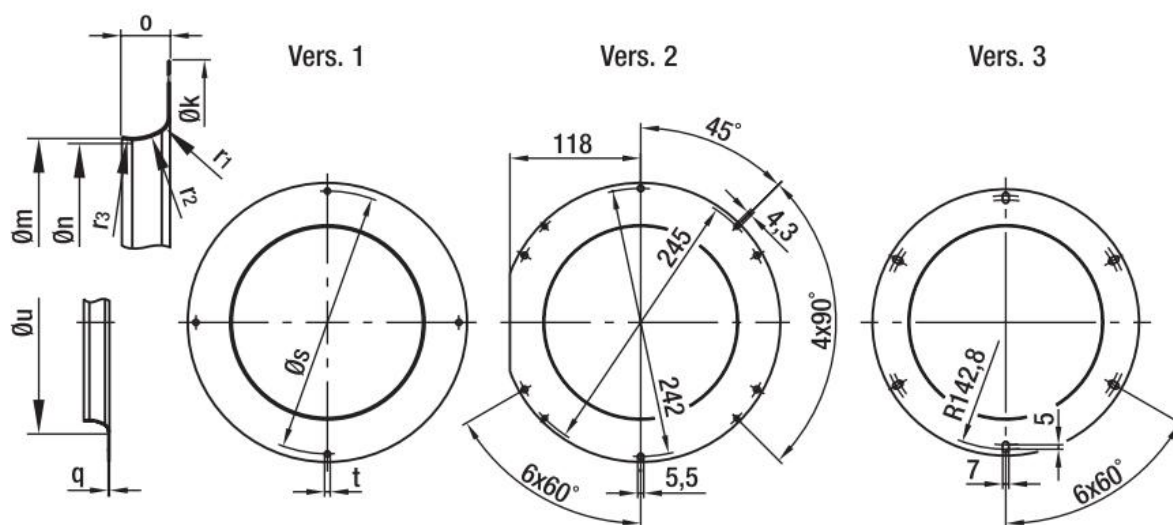
Inlet nozzles for backward curved centrifugal fans



TECHNIKAI ADATOK

Part no.	size ⁽¹⁾	Vers.	k	m	n	o	q	r ₁	r ₂	r ₃	s	t	u
09576-2-4013	175/190(P)	1	170	125.5	-	14	1.25	10	-	-	158	4x4.5	146
09609-2-4013	220(P)	2	252	155	-	21	0.8	22	-	-	-	-	199
96358-2-4013	225(P)	1	223	146	-	28	1.5	25	-	-	210	4x4.5	196
96359-2-4013	250(P/S)	1	255	164.5	-	31	1.5	28	-	-	240	4x4.5	221
96360-2-4013	270/280(S)	1	280	182.5	-	35	1.5	31	-	-	260	4x4.5	245

(1) size with key for impeller material: (P) = plastic, (S) = sheet steel



LAPANTHERA KFT.

Cím: 1045 Budapest, Csányi László u. 34 Tel.: 06-30- 539-7624 Tel./Fax: 06-1-3603357

e-mail: info@lapanthera.hu