

**ebm-papst St. Georgen GmbH & Co. KG**

Hermann-Papst-Str. 1
 D-78112 St. Georgen
 Phone +49 (0) 7724 81-0
 Fax +49 (0) 7724 81-1309
 info2@de.ebmpapst.com
 www.ebmpapst.com

Nominal data

Type	RER 175-42/14/2 TDMLP	
Nominal voltage	VDC	24
Nominal voltage range	VDC	16 .. 30
Speed (rpm)	min ⁻¹	3400
Power consumption	W	48
Min. ambient temperature	°C	-20
Max. ambient temperature	°C	65
Air flow	m ³ /h	600
Sound power level	B	7.3

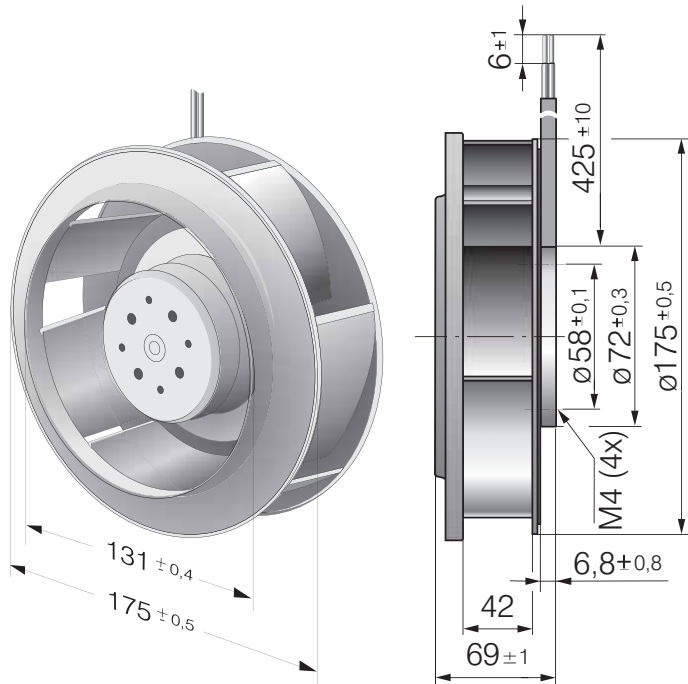
ml = Max. load · me = Max. efficiency · fa = Free air · cs = Customer specification · ce = Customer equipment
 Subject to change



Technical description

General description	3-phase fan drive with very smooth operation and high efficiency Backward-curved impeller
Impeller material	Glass-fiber reinforced plastic
Weight	0.775 kg
Dimensions	Ø 175 x 69 mm
Airflow direction	Axial: intake, radial: discharge
Direction of rotation	Clockwise, viewed toward rotor
Storage	Ball bearing
Service life L10 at 40 °C	72500 h
Service life L10 at maximum temperature	40000 h
Cable	With leads AWG 18, 20 or AWG 22, TR 64, speed signal and control input AWG 22

Product drawing



Curves

