

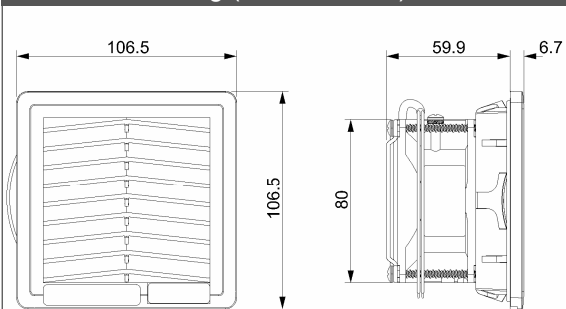
## "FF08AN" SERIES FAN FILTERS

Description: **Fan Filter 115/230 Va.c.**

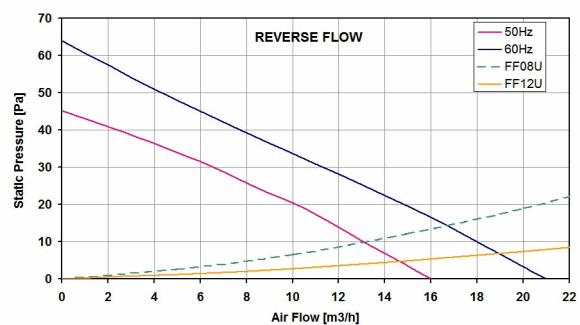
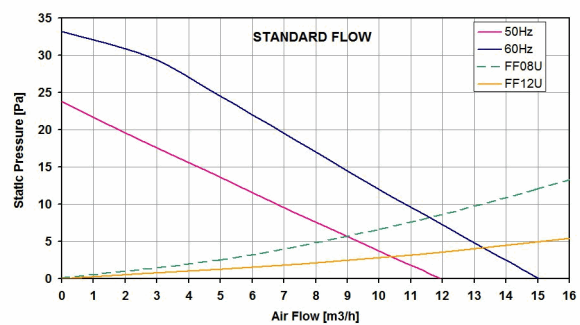
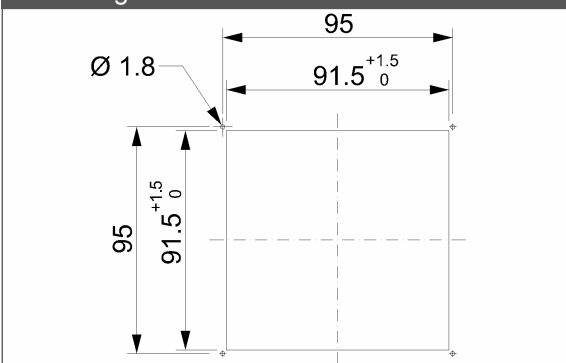


<b>Type of material:</b>	PC/ABS Alloy, PA 66 GF13 HSL for elastic clips
<b>Standard color:</b>	RAL 7035, other colors on request
<b>Protection degree:</b>	IP54, according to EN 60529 std Type 12, according to UL 508 std
<b>Fixing system:</b>	by elastic clips, otherwise by four self-threading screws
<b>Plate thickness:</b>	from 1 mm to 2 mm
<b>Storage temperature:</b>	from -40°C to +70°C
<b>Motor Lifetime L10 at 20°C (approx.):</b>	50,000 h
<b>Motor protection:</b>	impedance
<b>Earth connection:</b>	(by M4 screw on fan's casing)
<b>Electrical connection:</b>	UL 3266 AWG22 lead wires
<b>Appliance class:</b>	class I
<b>Type of filter media:</b>	thermo-linked progressive structure synthetic fibre
<b>Filtering class:</b>	class G3, according to EN 779
<b>Degree of separation:</b>	85% - DIN 24185
<b>Dust retention capacity:</b>	600 g/m <sup>2</sup>
<b>Note:</b>	filter media is washable about 10 times
<b>Weight:</b>	0.391 Kg
<b>Approvals:</b>	CE, UL E237844, CSA

### technical drawing (standard flow)



### mounting cut-out



Model	Voltage (V)	Frequency (Hz)	Rated Current (A)	Rated Power (W)	Max Air Flow** (m <sup>3</sup> /h)	Static Pressure (Pa)	Fan Noise [db(A)]	Rated Temp. Range (°C)	Approvals
FF08A115UN	115 V a.c.	50/60	0.113/0.092	9.0/7.0	12/15	23/33	31.0/33.0	-10 ÷ +55	CE; cURus; cCSAus
FF08A115UNR	115 V a.c.	50/60	0.111/0.093	9.0/7.5	16/21	45/64	31.0/33.0	-10 ÷ +55	CE; cURus; cCSAus
FF08A230UN	230 V a.c.	50/60	0.062/0.050	10/8.0	12/15	23/33	31.0/33.0	-10 ÷ +55	CE; cURus; cCSAus
FF08A230UNR	230 V a.c.	50/60	0.063/0.052	10/8.0	16/21	45/64	31.0/33.0	-10 ÷ +55	CE; cURus; cCSAus

data with uncertainty of 15%

All specifications, data and drawing are subject to change without notice and are approximate. Please refer to our terms of sales including our warranty and limited liabilities clauses.