

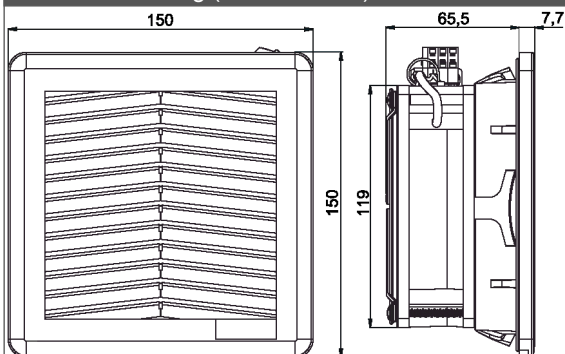
"FF12AN" SERIES FAN FILTERS

Description: Fan Filter 115/230 Va.c.

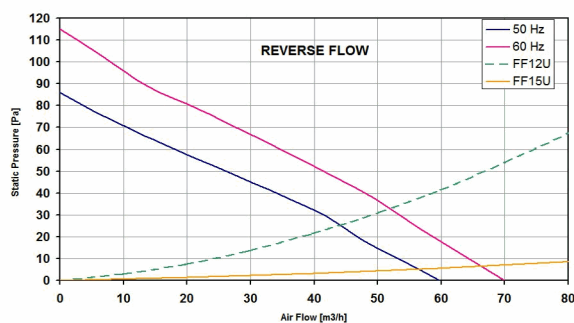
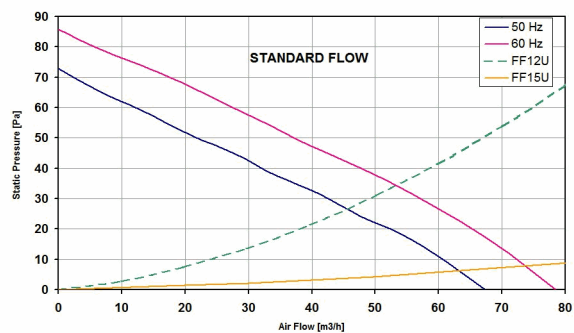
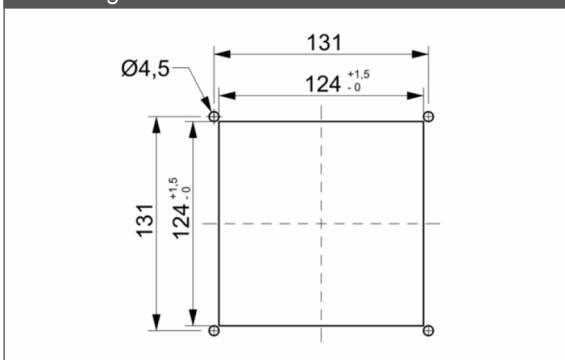


- Type of material:** PC/ABS Alloy, PA 66 GF13 HSL for elastic clips
- Standard color:** RAL 7035 - other colors on request
- Protection degree:** IP54, according to 60529 standard Type 12 according to UL 508 Std by elastic clips, otherwise by four self-threading screws
- Fixing system:**
- Plate thickness:** from 1.3 mm to 3.2 mm
- Storage temperature:** from -40°C to +70°C
- Motor Lifetime L10 at 25°C (approx.):** 100,000 h
- Motor protection:** thermally
- Electrical connection:** by terminal block 3 poles L-N-PE
- Earth connection:** (by M4 screw on fan's casing)
- Appliance class:** class I
- Type of filter media:** thermo-linked progressive structure synthetic fibre
- Filtering class:** class G3, according to EN 779
- Degree of separation:** 85% - DIN 24185
- Dust retention capacity:** 600 g/m²
- Note:** filter media is washable for about 10 times
- Weight:** 0.8 Kg
- Approvals:** CE, UL E237844, CSA

technical drawing (standard flow)



mounting cut-out



Model	Voltage (V)	Frequency (Hz)	Rated Current (A)	Rated Power (W)	Max Air Flow** (m ³ /h)	Static Pressure (Pa)	Fan Noise [db(A)]	Rated Temp. Range (°C)	Approvals
FF12A115UN	115 V a.c.	50/60	0.260/0.220	19/17	67/79	73/86	40.0/44.0	-10 + +55	CE; cURus; cCSAus
FF12A115UNR	115 V a.c.	50/60	0.260/0.220	19/17	60/70	86/115	40.0/44.0	-10 + +55	CE; cURus; cCSAus
FF12A230UN	230 V a.c.	50/60	0.130/0.100	18/16	67/79	73/86	40.0/44.0	-10 + +55	CE; cURus; cCSAus
FF12A230UNR	230 V a.c.	50/60	0.130/0.100	18/16	60/70	86/115	40.0/44.0	-10 + +55	CE; cURus; cCSAus

data with uncertainty of 15%

All specifications, data and drawing are subject to change without notice and are approximate. Please refer to our terms of sales including our warranty and limited liabilities clauses.