

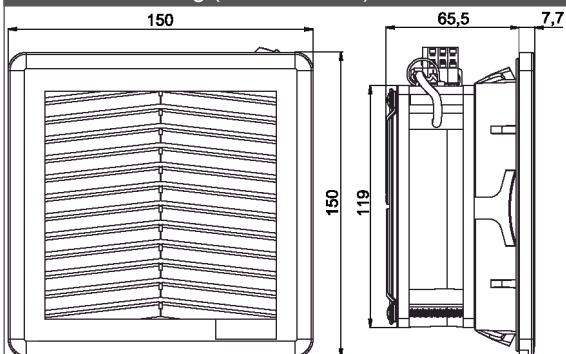
"FF12AN" SERIES FAN FILTERS

Description: Fan Filter 115/230 Va.c.

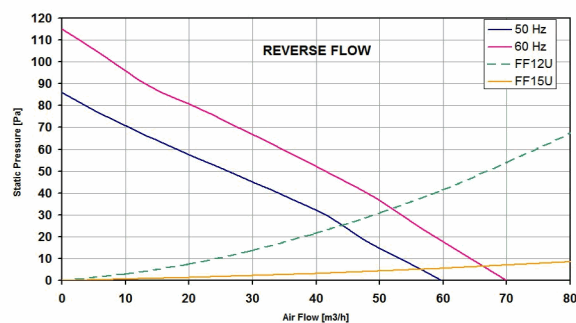
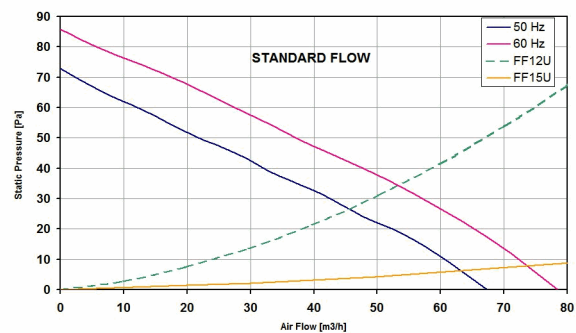
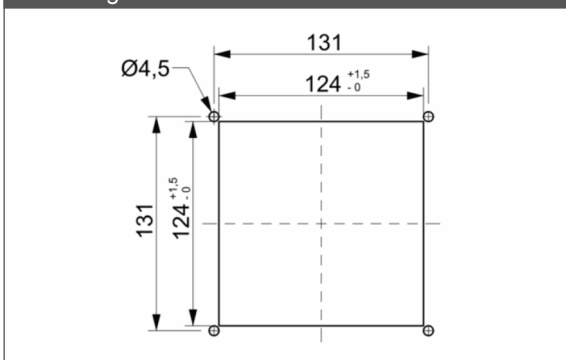


Type of material:	PC/ABS Alloy, PA 66 GF13 HSL for elastic clips
Standard color:	RAL 7035 - other colors on request
Protection degree:	IP54, according to 60529 standard Type 12 according to UL 508 Std by elastic clips, otherwise by four self-threading screws
Fixing system:	
Plate thickness:	from 1.3 mm to 3.2 mm
Storage temperature:	from -40°C to +70°C
Motor Lifetime L10 at 25°C (approx.):	100,000 h
Motor protection:	thermally
Electrical connection:	by terminal block 3 poles L-N-PE
Earth connection:	(by M4 screw on fan's casing)
Appliance class:	class I
Type of filter media:	thermo-linked progressive structure synthetic fibre
Filtering class:	class G3, according to EN 779
Degree of separation:	85% - DIN 24185
Dust retention capacity:	600 g/m ²
Note:	filter media is washable for about 10 times
Weight:	0.8 Kg
Approvals:	CE, UL E237844, CSA

technical drawing (standard flow)



mounting cut-out



Model	Voltage (V)	Frequency (Hz)	Rated Current (A)	Rated Power (W)	Max Air Flow** (m ³ /h)	Static Pressure (Pa)	Fan Noise [db(A)]	Rated Temp. Range (°C)	Approvals
FF12A115UN	115 V a.c.	50/60	0.260/0.220	19/17	67/79	73/86	40.0/44.0	-10 + +55	CE; cURus; cCSAus
FF12A115UNR	115 V a.c.	50/60	0.260/0.220	19/17	60/70	86/115	40.0/44.0	-10 + +55	CE; cURus; cCSAus
FF12A230UN	230 V a.c.	50/60	0.130/0.100	18/16	67/79	73/86	40.0/44.0	-10 + +55	CE; cURus; cCSAus
FF12A230UNR	230 V a.c.	50/60	0.130/0.100	18/16	60/70	86/115	40.0/44.0	-10 + +55	CE; cURus; cCSAus

data with uncertainty of 15%

All specifications, data and drawing are subject to change without notice and are approximate. Please refer to our terms of sales including our warranty and limited liabilities clauses.