

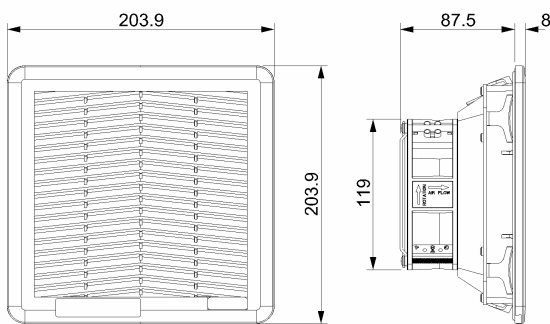
"FF13PAF" SERIES FAN FILTERS

Description: **Fan Filter 115/230 Va.c.**

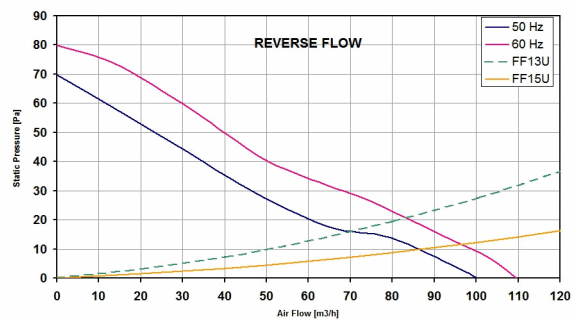
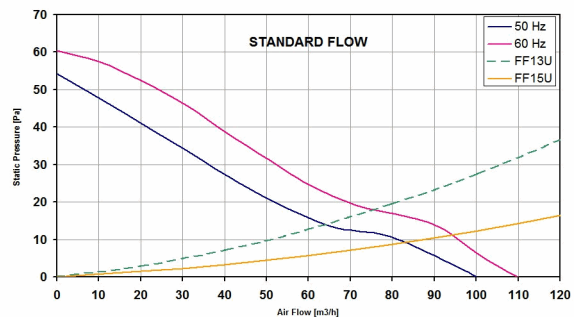
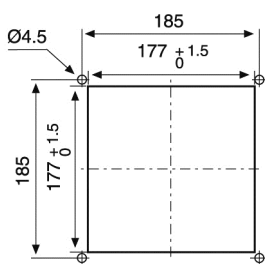


- Type of material:** PC/ABS Alloy, PA 66 GF13 HSL for elastic clips
- Standard color:** RAL 7035, other colors on request
- Protection degree:** IP54, according to EN 60529 standard
Type 12 according to UL 508 Std
- Fixing system:** by elastic clips, otherwise by four self-threading screws
- Plate thickness:** from 1.3 mm to 3.2 mm
- Storage temperature:** from -40°C to +70°C
- Motor Lifetime L10 at 25°C (approx.):** 57,000 h
- Motor protection:** impedance
- Electrical connection:** by terminal block 2 poles L-N
- Earth connection:** (by M4 screw on fan's casing)
- Appliance class:** class I
- Type of filter media:** thermo-linked progressive structure synthetic fibre
- Filtering class:** class G3, according to EN 779
- Degree of separation:** 85% - DIN 24185
- Dust retention capacity:** 600 g/m²
- Note:** filter media is washable about 10 times
- Weight:** 1.2 Kg
- Approvals:** CE, UL E237844, CSA

technical drawing (standard flow)



mounting cut-out



Model	Voltage (V)	Frequency (Hz)	Rated Current (A)	Rated Power (W)	Max Air Flow** (m ³ /h)	Static Pressure (Pa)	Fan Noise [db(A)]	Rated Temp. Range (°C)	Approvals
FF13PA115UF	115 V a.c.	50/60	0.213/0.202	19/18	100/110	55/60	46.0/49.0	-10 + +55	CE; cURus; cCSAus
FF13PA115UFR	115 V a.c.	50/60	0.215/0.200	18/18	100/110	70/80	46.0/49.0	-10 + +55	CE; cURus; cCSAus
FF13PA230UF	230 V a.c.	50/60	0.106/0.100	18/18	100/110	55/60	48.0/54.0	-10 + +55	CE; cURus; cCSAus
FF13PA230UFR	230 V a.c.	50/60	0.106/0.100	18/18	100/110	70/80	48.0/54.0	-10 + +55	CE; cURus; cCSAus

data with uncertainty of 15%

All specifications, data and drawing are subject to change without notice and are approximate. Please refer to our terms of sales including our warranty and limited liabilities clause