

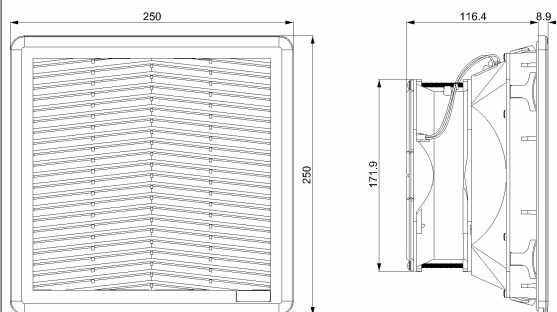
"FF15DF" SERIES FAN FILTERS

Description: Fan Filter 24 Vd.c.

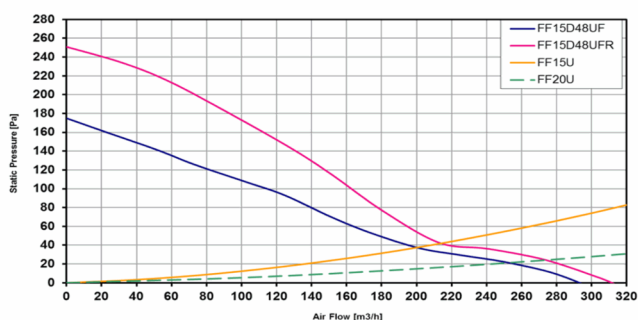
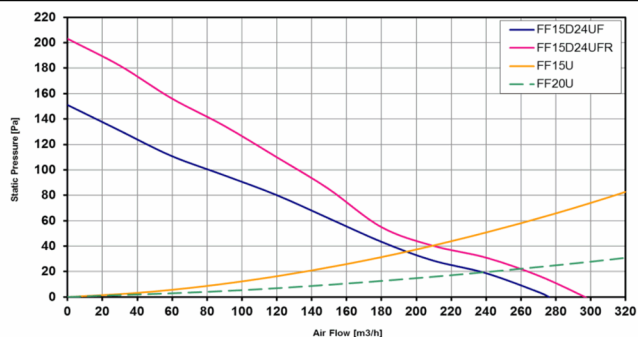
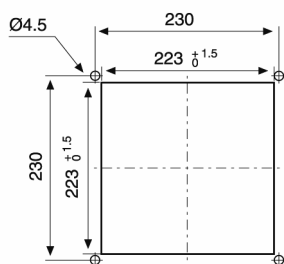


Type of material:	PC/ABS Alloy, PA 66 GF13 HSL for elastic clips
Standard color:	RAL 7035, other colors on request
Protection degree:	IP54, according to EN 60529 standard Type 12 according to UL 508 Std
Fixing system:	by elastic clips, otherwise by four self-threading screws
Plate thickness:	from 1.3 mm to 3.7 mm (up to 4 mm with cut-out max tolerance)
Storage temperature:	from -40°C to +70°C
Motor Lifetime L10 at 40°C (approx.):	70,000 h
Motor protection:	IC protected and polarity protection
Electrical connection:	by terminal block 2 poles +, -
Appliance class:	class III
Type of filter media:	thermo-linked progressive structure synthetic fibre
Filtering class:	class G3, according to EN 779
Degree of separation:	85% - DIN 24185
Dust retention capacity:	600 g/m ²
Note:	filter media is washable about 10 times
Weight:	1.4 Kg
Approvals:	CE, UL E237844, CSA

technical drawing (standard flow)



mounting cut-out



Model	Voltage (V)	Frequency (Hz)	Rated Current (A)	Rated Power (W)	Max Air Flow** (m ³ /h)	Static Pressure (Pa)	Fan Noise (db(A))	Rated Temp. Range (°C)	Approvals
FF15D24UF	24 V d.c.	-	1.3	31	275	150	60.0	-10 + +55	CE; cURus; cCSAus
FF15D24UFR	24 V d.c.	-	1.3	31	295	205	60.0	-10 + +55	CE; cURus; cCSAus
FF15D48UF	48 V d.c.	-	0.9	43	295	175	59.0	-10 + +55	CE
FF15D48UFR	48 V d.c.	-	0.9	43	310	250	59.0	-10 + +55	CE

data with uncertainty of 15%

All specifications, data and drawing are subject to change without notice and are approximate. Please refer to our terms of sales including our warranty and limited liabilities clause