

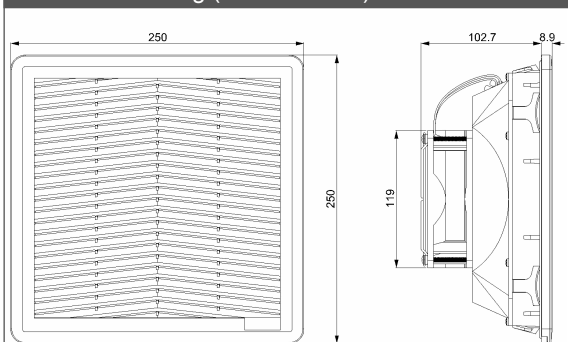
"FF15PD" SERIES FAN FILTERS

Description: **Fan Filters 24/48 Vd.c.**

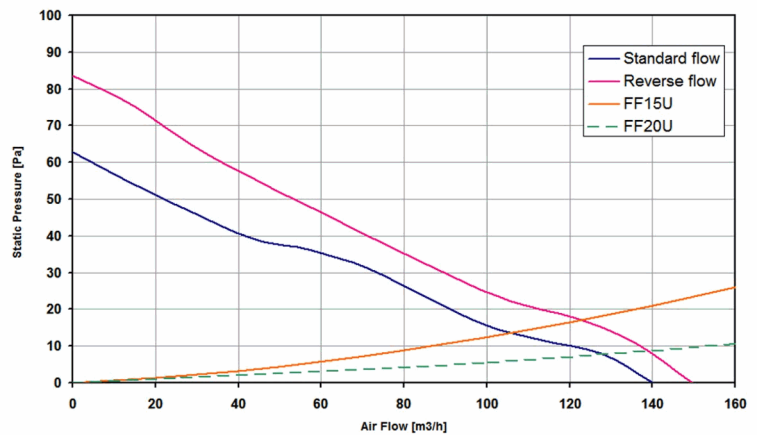
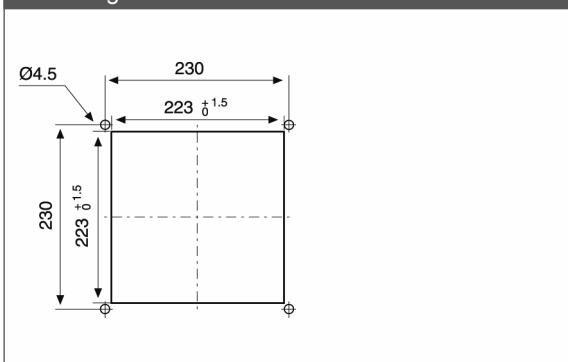


- Type of material:** PC/ABS Alloy, PA 66 GF13 HSL for elastic clips
- Standard color:** RAL 7035, other colors on request
- Protection degree:** IP54, according to EN 60529 standard
Type 12 according to UL 508 Std
- Fixing system:** by elastic clips, otherwise by four self-threading screws
- Plate thickness:** from 1.3 mm to 3.7 mm (up to 4 mm with cut-out max tolerance)
- Storage temperature:** from -40°C to +70°C
- Motor Lifetime L10 at 20°C (approx.):** 50,000 h
- Motor protection:** auto restart and polarity protection
- Electrical connection:** by terminal block 2 poles +, -
- Appliance class:** class III
- Type of filter media:** thermo-linked progressive structure synthetic fibre
- Filtering class:** class G3, according to EN 779
- Degree of separation:** 85% - DIN 24185
- Dust retention capacity:** 600 g/m²
- Note:** filter media is washable about 10 times
- Weight:** 0.9 Kg
- Approvals:** CE, UL E237844, CSA

technical drawing (standard flow)



mounting cut-out



Model	Voltage	Frequency	Rated Current	Rated Power	Max Air Flow**	Static Pressure	Fan Noise	Rated Temp. Range	Approvals
	(V)	(Hz)	(A)	(W)	(m ³ /h)	(Pa)	[db(A)]	(°C)	
FF15PD24UN	24 V d.c.	-	0.320	7.6	140	63	42.0	-10 + +55	CE; UR; cCSAus
FF15PD24UNR	24 V d.c.	-	0.320	7.6	150	84	42.0	-10 + +55	CE; UR; cCSAus
FF15PD48UN	48 V d.c.	-	0.180	8.6	140	63	42.5	-10 + +55	CE; UR; cCSAus
FF15PD48UNR	48 V d.c.	-	0.180	8.6	150	84	42.5	-10 + +55	CE; UR; cCSAus

data with uncertainty of 15%

All specifications, data and drawing are subject to change without notice and are approximate. Please refer to our terms of sales including our warranty and limited liabilities clause