

"FF20A1" SERIES FAN FILTERS

Description: **Fan Filters 115/230 Va.c.**



Type of material: PC/ABS Alloy, PA 66 GF13 HSL for elastic clips

Standard color: RAL 7035, other colors on request

Protection degree: IP54, according to EN 60529 standard
Type 12 according to UL 508 Std

Fixing system: by elastic clips, otherwise by four self-threading screws

Plate thickness: from 1.3 mm to 3.7 mm (up to 4 mm with cut-out max tolerance)

Storage temperature: from -30°C to +70°C

Motor Lifetime L10 at 25°C (approx.): 63,000 h

Working class of capacitor: class B

Motor protection: thermal

Electrical connection: by terminal block 3 poles L-N-PE

Appliance class: class I

Type of filter media: thermo-linked progressive structure synthetic fibre

Filtering class: class G3, according to EN 779

Degree of separation: 85% - DIN 24185

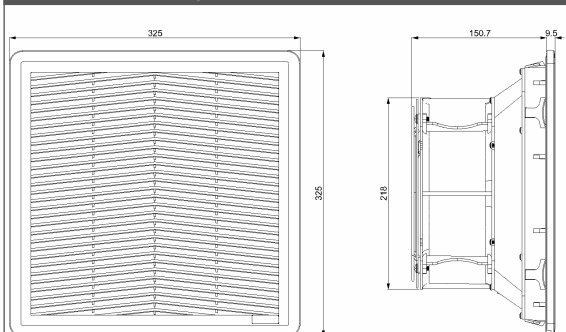
Dust retention capacity: 600 g/m²

Note: filter media is washable about 10 times

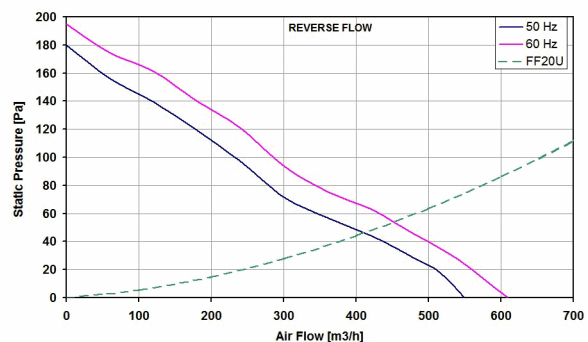
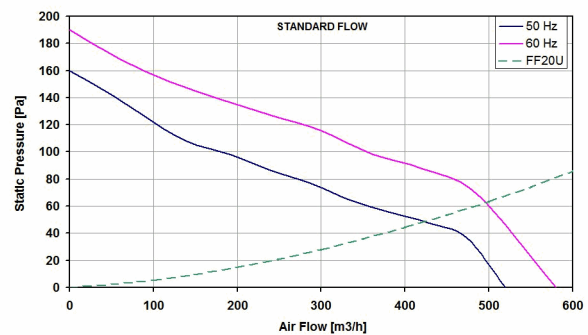
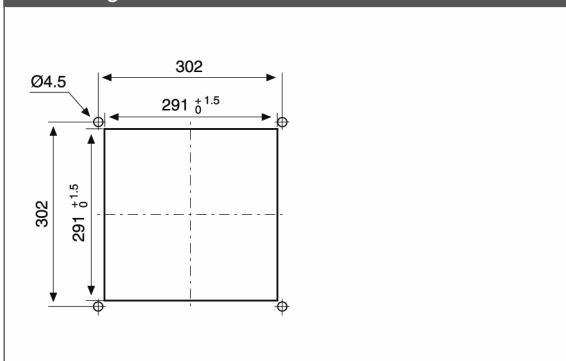
Weight: 3.1

Approvals: CE, UL E237844, CSA

technical drawing



mounting cut-out



Model	Voltage (V)	Frequency (Hz)	Rated Current (A)	Rated Power (W)	Max Air Flow** (m3/h)	Static Pressure (Pa)	Fan Noise [db(A)]	Rated Temp. Range (°C)	Approvals
FF20A115UE1	115 V a.c.	50/60	0.68/0.73	74/83	520/580	160/190	66.0/69.2	-10 + +55	CE; cURus; cCSAus
FF20A115UER1	115 V a.c.	50/60	0.68/0.73	74/83	550/610	180/195	66.0/69.2	-10 + +55	CE; cURus; cCSAus
FF20A230UE1	230 V a.c.	50/60	0.310/0.350	70/85	520/580	160/190	65.3/68.1	-10 + +55	CE; cURus; cCSAus
FF20A230UER1	230 V a.c.	50/60	0.366/0.407	70/85	550/610	180/195	65.3/68.1	-10 + +55	CE; cURus; cCSAus

All specifications, data and drawing are subject to change without notice and are approximate. Please refer to our terms of sales including our warranty and limited liabilities clause

data with uncertainty of 15%