

G2E085-AA01-01

# AC centrifugal fan

forward curved, single inlet

with housing (flange)



**ebm-papst Mulfingen GmbH & Co. KG**

Bachmühle 2

74673 Mulfingen

Phone: +49 7938 81-0

Fax: +49 7938 81-110

www.ebmpapst.com

info1@de.ebmpapst.com

## Nominal data

Type	G2E085-AA01-01		
Motor	M2E042-CA		
Phase		1~	1~
Nominal voltage	[V]	230	230
Frequency	[Hz]	50	60
Type of data definition		rfa	rfa
Valid for approval / standard		CE	CE
Speed	[min <sup>-1</sup> ]	2350	2800
Power input	[W]	32	30
Current draw	[A]	0.15	0.14
Motor capacitor	[μF]	1	1
Capacitor voltage	[VDB]	400	400
Capacitor standard		P2 (CE)	P2 (CE)
Min. back pressure	[Pa]	0	0
Max. ambient temperature	[°C]	50	70

ml = max. load · me = max. efficiency · rfa = running at free air · cs = customer specs · cu = customer unit  
Subject to alterations

G2E085-AA01-01

# AC centrifugal fan

forward curved, single inlet

with housing (flange)

## Technical features

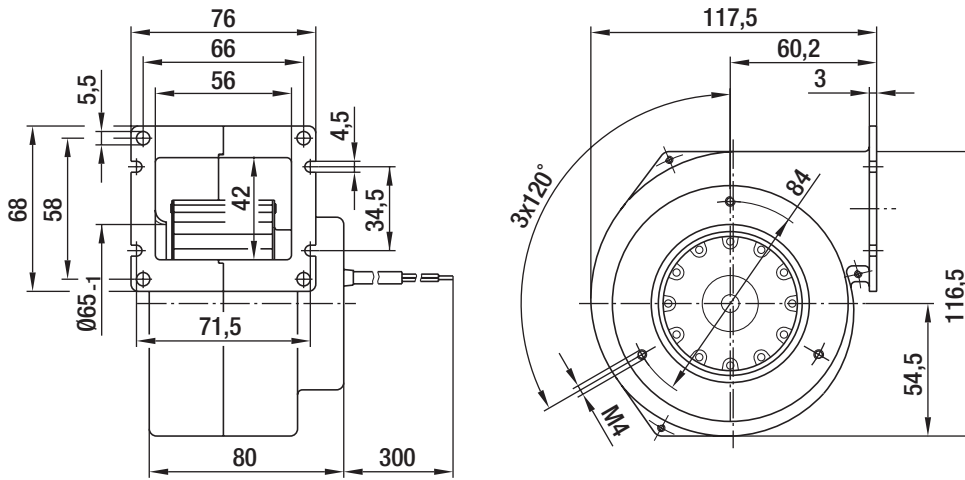
Leakage current	< 0,75 mA
Size	85 mm
Operation mode	S1
Direction of rotation	Clockwise, seen on rotor
Insulation class	"B"
Bearing motor	Ball bearing
Mass	0.9 kg
Housing material	Die-cast aluminum
Material of impeller	Sendzimir galvanized sheet steel
Motor protection	Thermal overload protector (TOP) wired internally
Product conforming to standard	CE
Type of protection	IP 44
Protection class	I
Approval	CCC

# AC centrifugal fan

forward curved, single inlet

with housing (flange)

## Product drawing



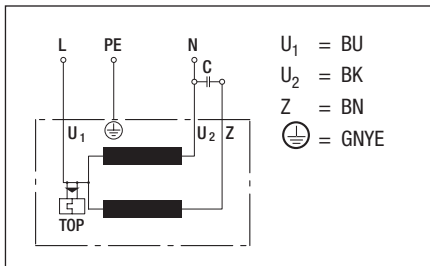
G2E085-AA01-01

# AC centrifugal fan

forward curved, single inlet

with housing (flange)

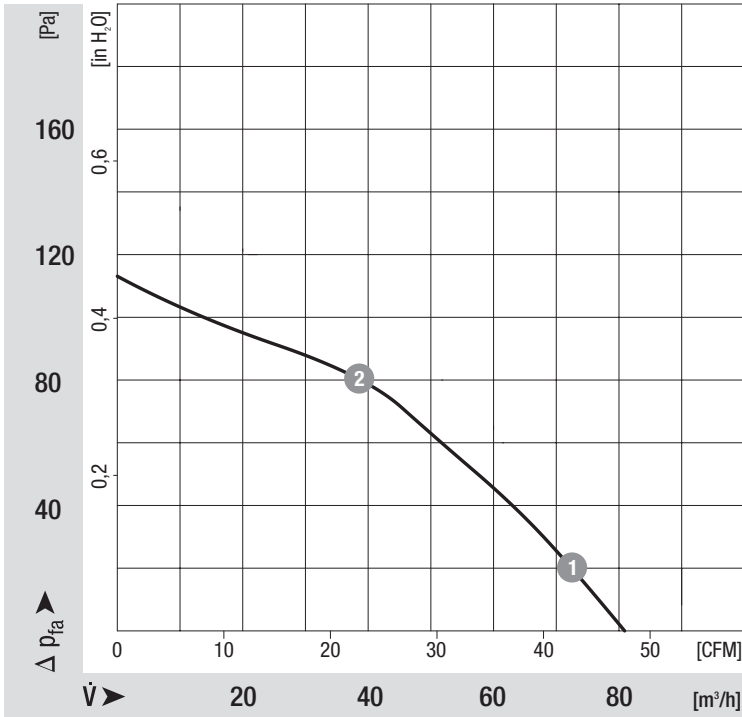
## Connection screen



# AC centrifugal fan

forward curved, single inlet  
with housing (flange)

## Charts: Air flow 50 Hz



## Measured values

	f	n	P <sub>1</sub>	I
	[Hz]	[min <sup>-1</sup> ]	[W]	[A]
1	50	2430	32	0.15
2	50	2590	30	0.14

# AC centrifugal fan

forward curved, single inlet  
with housing (flange)

## Charts: Air flow 60 Hz

