

EC centrifugal fan - RadiCal

backward-curved, single-intake

with housing (without flange)

ebm-papst Mulfingen GmbH & Co. KG

Bachmühle 2 · D-74673 Mulfingen

Phone +49 7938 81-0

Fax +49 7938 81-110

info1@de.ebmpapst.com

www.ebmpapst.com

Limited partnership · Headquarters Mulfingen

Amtsgericht (court of registration) Stuttgart · HRA 590344

General partner Elektrobau Mulfingen GmbH · Headquarters Mulfingen

Amtsgericht (court of registration) Stuttgart · HRB 590142

Nominal data

| | | |
|--------------------------|-------------------|------------|
| Type | G3G190-RG19-01 | |
| Motor | M3G055-CF | |
| Phase | | 1~ |
| Nominal voltage | VAC | 230 |
| Nominal voltage range | VAC | 200 .. 240 |
| Frequency | Hz | 50/60 |
| Method of obtaining data | | ml |
| Speed (rpm) | min ⁻¹ | 3635 |
| Power consumption | W | 115 |
| Current draw | A | 0.9 |
| Min. ambient temperature | °C | -25 |
| Max. ambient temperature | °C | 60 |

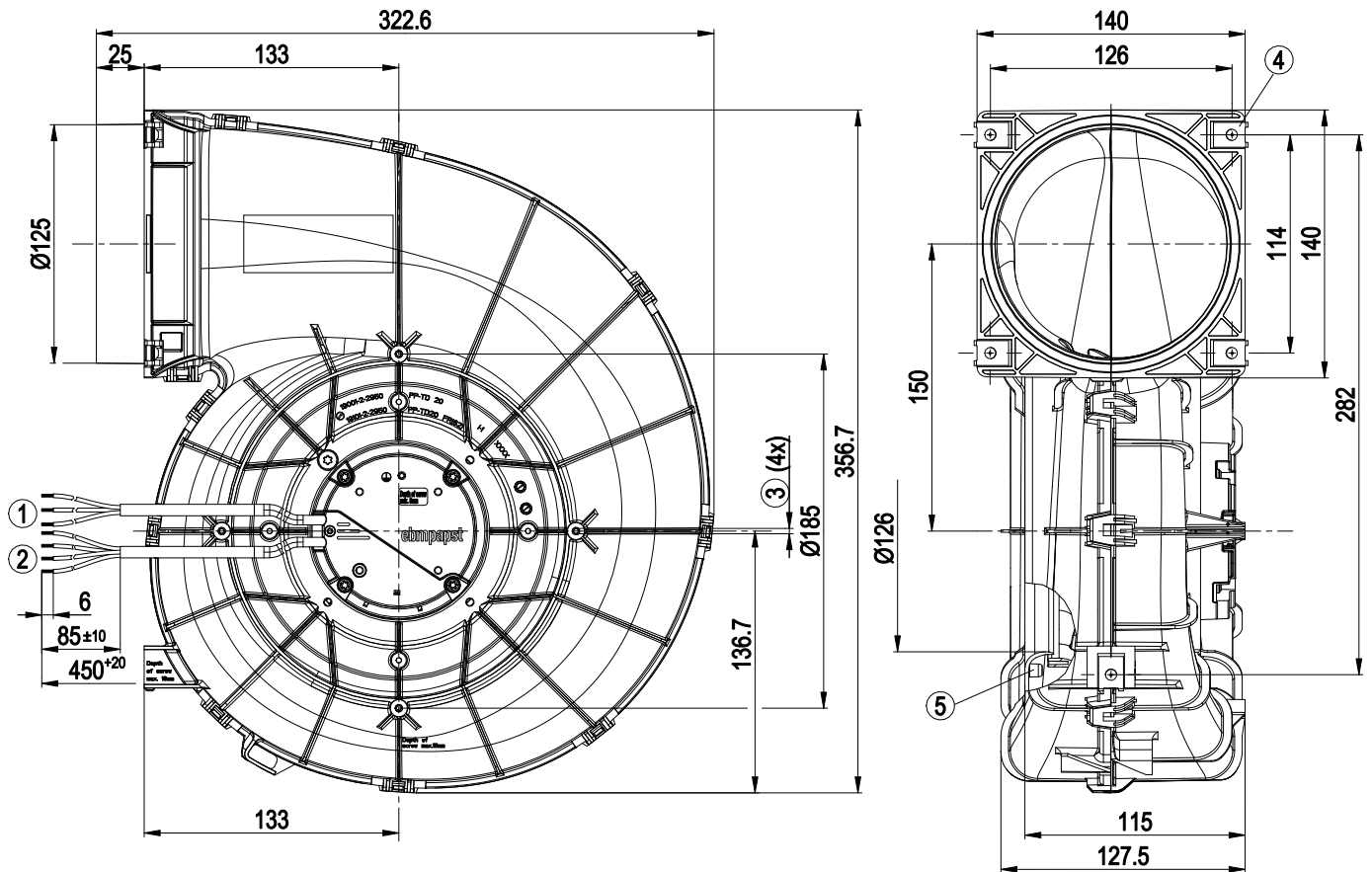
ml = Max. load · me = Max. efficiency · fa = Free air · cs = Customer specification · ce = Customer equipment
Subject to change



Technical description

| | |
|--|--|
| Weight | 2 kg |
| Fan size | 190 mm |
| Rotor surface | Thick-film passivated |
| Impeller material | PA plastic |
| Housing material | PP plastic |
| Number of blades | 7 |
| Direction of rotation | Clockwise, viewed toward rotor |
| Degree of protection | IP54 |
| Insulation class | "B" |
| Moisture (F) / Environmental (H) protection class | F3-1 |
| Max. permitted ambient temp. for motor (transport/storage) | + 80 °C |
| Min. permitted ambient temp. for motor (transport/storage) | - 40 °C |
| Installation position | Any |
| Condensation drainage holes | None, open rotor |
| Mode | S1 |
| Motor bearing | Ball bearing |
| Technical features | <ul style="list-style-type: none"> - Output 10 VDC, max. 10 mA - Tach output - Power limiter - Motor current limitation - Soft start - Control input 0-10 VDC / PWM - Control interface with SELV potential safely disconnected from the mains - Overvoltage detection - Thermal overload protection for electronics/motor - Line undervoltage detection |
| EMC immunity to interference | According to EN 61000-6-2 (industrial environment) |
| EMC circuit feedback | According to EN 61000-3-2/3 |
| EMC interference emission | According to EN 61000-6-3 (household environment) |
| Touch current according to IEC 60990 (measuring circuit Fig. 4, TN system) | <= 3.5 mA |
| Motor protection | Locked-rotor protection |
| With cable | Variable |
| Protection class | I (with customer connection of protective earth) |
| Conformity with standards | EN 60335-1; CE |

Product drawing

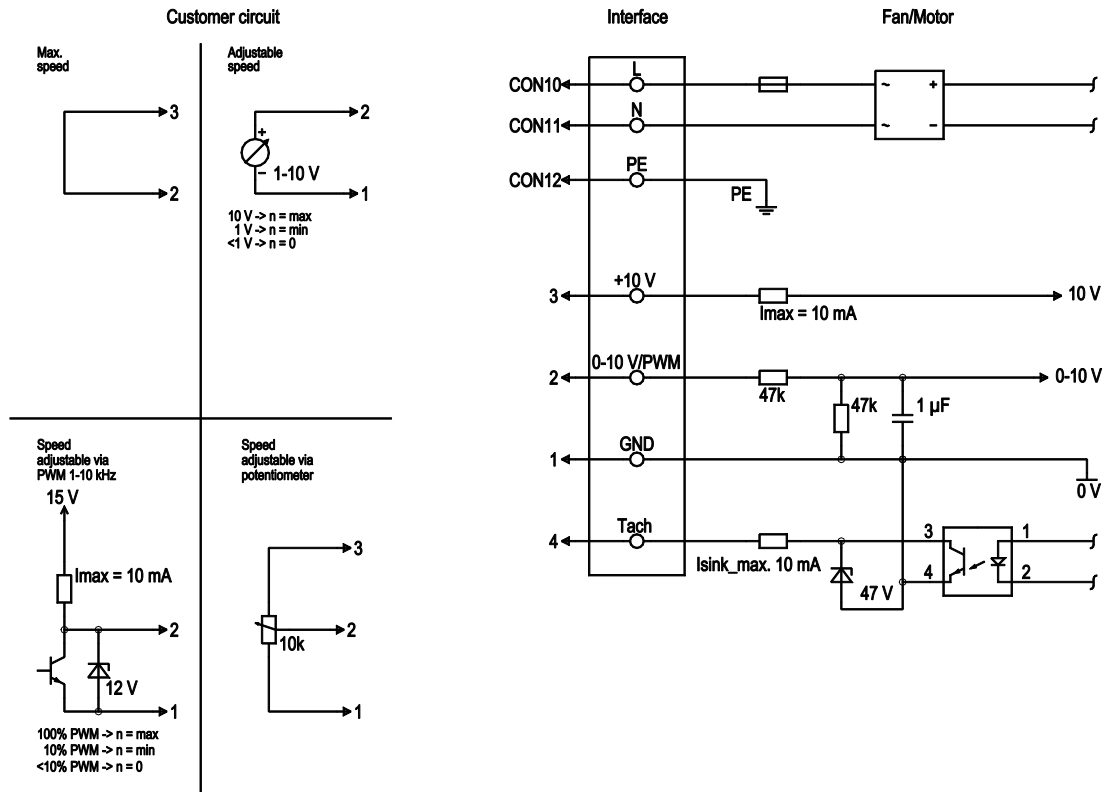


| | |
|---|--|
| 1 | Cable PVC 3G 0.5 mm ² , 3x crimped splices |
| 2 | Cable PVC 4x 0.25 mm ² , 4x crimped splices |
| 3 | Tapping hole prepared for self-tapping screw for fastening plastics (Remform) dia. 4 mm, clearance for screw max. 15 mm, torque is to be determined on the basis of the screw. |
| 4 | 5x sheet metal nut for thread EN ISO 1478-ST4.8 (max. screw length 16 mm plus thickness of mounting material) |
| 5 | Screw-on domes are only permissible for Flowgrid! |

EC centrifugal fan - RadiCal

backward-curved, single-intake
with housing (without flange)

Connection diagram



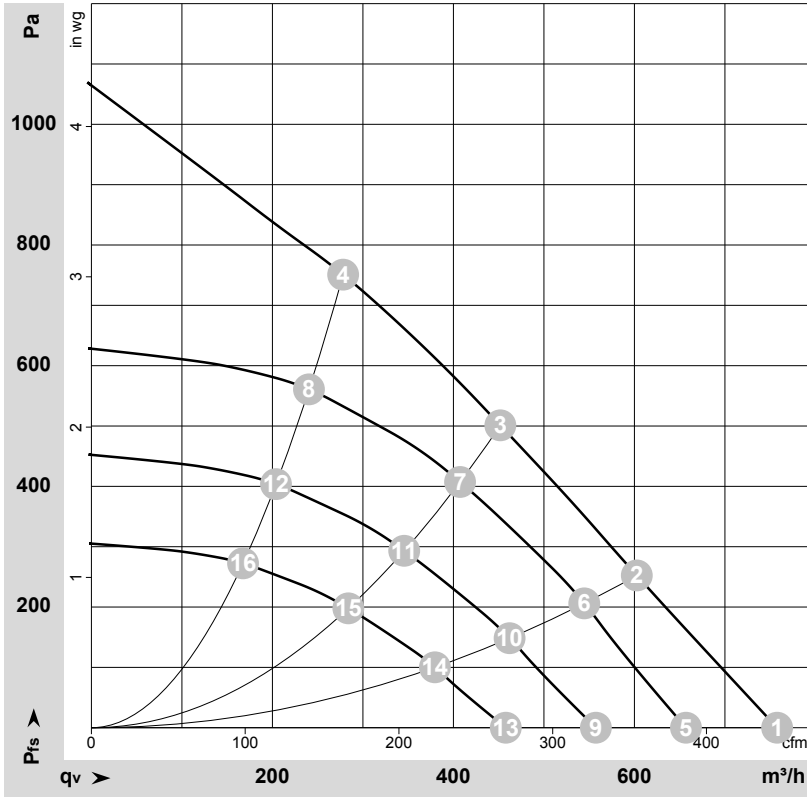
| No. | Conn. | Designation | Color | Function/assignment |
|-----|-------|-------------|--------------|---|
| | CON10 | L | brown | Supply connection, power supply, phase, see nameplate for voltage range |
| | CON11 | N | blue | Supply connection, power supply, neutral conductor, see nameplate for voltage range |
| | CON12 | PE | green/yellow | Ground connection |
| | 2 | 0- 10V PWM | yellow | 0-10 V / PWM control input, R _i =100 kΩ, SELV |
| | 4 | Tach | white | Tach output, open collector, 1 pulse per revolution, I _{sink_max} = 10 mA, SELV |
| | 3 | +10 V | red | Fixed voltage output 10 VDC +/-3 %, I _{max} . 10 mA, short-circuit-proof, power supply for ext. devices (e.g. pot), SELV |
| | 1 | GND | blue | Reference ground for control interface, SELV |



EC centrifugal fan - RadiCal

backward-curved, single-intake
with housing (without flange)

Curves: Air performance 50 Hz



$\rho = 1.15 \text{ kg/m}^3 \pm 2 \%$

Measurement: LU-184313-1

Air performance measured according to ISO 5801 installation category A. For detailed information on the measurement setup, contact ebmpapst. Intake sound level: Sound power level according to ISO 13347 / sound pressure level measured at 1 m distance from fan axis. The values given are valid under the specified measuring conditions and may vary due to conditions of installation. For deviations from the standard configuration, the parameters have to be checked on the installed unit.

Measured values

| | U | f | n | P _{ed} | I | LpA _{in} | LwA _{in} | q _v | P _{fs} | q _v | P _{fs} |
|----|-----|----|-------------------|-----------------|------|-------------------|-------------------|-------------------|-----------------|----------------|-----------------|
| | V | Hz | min ⁻¹ | W | A | dB(A) | dB(A) | m ³ /h | Pa | cfm | in. wg |
| 1 | 230 | 50 | 3805 | 119 | 0.90 | 70 | 76 | 760 | 0 | 445 | 0.00 |
| 2 | 230 | 50 | 3635 | 115 | 0.90 | 65 | 71 | 605 | 250 | 355 | 1.00 |
| 3 | 230 | 50 | 3660 | 115 | 0.90 | 63 | 70 | 450 | 500 | 265 | 2.01 |
| 4 | 230 | 50 | 3815 | 115 | 0.90 | 67 | 73 | 280 | 750 | 165 | 3.01 |
| 5 | 230 | 50 | 3300 | 77 | 0.63 | 66 | 72 | 655 | 0 | 385 | 0.00 |
| 6 | 230 | 50 | 3300 | 89 | 0.74 | 63 | 69 | 545 | 208 | 320 | 0.84 |
| 7 | 230 | 50 | 3300 | 89 | 0.74 | 60 | 67 | 405 | 408 | 240 | 1.64 |
| 8 | 230 | 50 | 3300 | 74 | 0.62 | 63 | 69 | 240 | 563 | 140 | 2.26 |
| 9 | 230 | 50 | 2800 | 47 | 0.39 | 62 | 68 | 555 | 0 | 330 | 0.00 |
| 10 | 230 | 50 | 2800 | 54 | 0.45 | 58 | 64 | 460 | 150 | 270 | 0.60 |
| 11 | 230 | 50 | 2800 | 54 | 0.45 | 56 | 63 | 345 | 294 | 205 | 1.18 |
| 12 | 230 | 50 | 2800 | 45 | 0.38 | 59 | 65 | 205 | 405 | 120 | 1.63 |
| 13 | 230 | 50 | 2300 | 26 | 0.21 | 57 | 63 | 460 | 0 | 270 | 0.00 |
| 14 | 230 | 50 | 2300 | 30 | 0.25 | 53 | 60 | 380 | 101 | 225 | 0.41 |
| 15 | 230 | 50 | 2300 | 30 | 0.25 | 51 | 58 | 285 | 198 | 165 | 0.79 |
| 16 | 230 | 50 | 2300 | 25 | 0.21 | 54 | 60 | 170 | 273 | 100 | 1.10 |

U = Power supply · f = Frequency · n = Speed (rpm) · P_{ed} = Power consumption · I = Current draw · LpA_{in} = Sound pressure level intake side · LwA_{in} = Sound power level intake side
q_v = Air flow · p_{fs} = Pressure increase

