

G3G250-GN17-01

# EC centrifugal fan

backward curved, single inlet

with housing (flange), Gas blower for gas-condensing heating



**ebm-papst Mulfingen GmbH & Co. KG**

Bachmühle 2

74673 Mulfingen

Phone: +49 7938 81-0

Fax: +49 7938 81-110

[www.ebmpapst.com](http://www.ebmpapst.com)

[info1@de.ebmpapst.com](mailto:info1@de.ebmpapst.com)

## Nominal data

Type	G3G250-GN17-01	
Motor	M3G084-FA	
Phase		1~
Nominal voltage	[VAC]	230
Nominal voltage range	[VAC]	208 .. 240
Frequency	[Hz]	50/60
Type of data definition		ml
Speed	[min <sup>-1</sup> ]	4800
Power input	[W]	1150
Current draw	[A]	5,7 @ 208 V
Min. ambient temperature	[°C]	-20
Max. ambient temperature	[°C]	60
Min. temp. of flow medium	[°C]	0
Max. temp. of flow medium	[°C]	60
Air flow	[m <sup>3</sup> /h]	1325
Back pressure	[Pa]	1200
Sound pressure level	[dB(A)]	86,3

ml = max. load · me = max. efficiency · rfa = running at free air · cs = customer specs · cu = customer unit  
Subject to alterations

# EC centrifugal fan

backward curved, single inlet

with housing (flange), Gas blower for gas-condensing heating

## Technical features

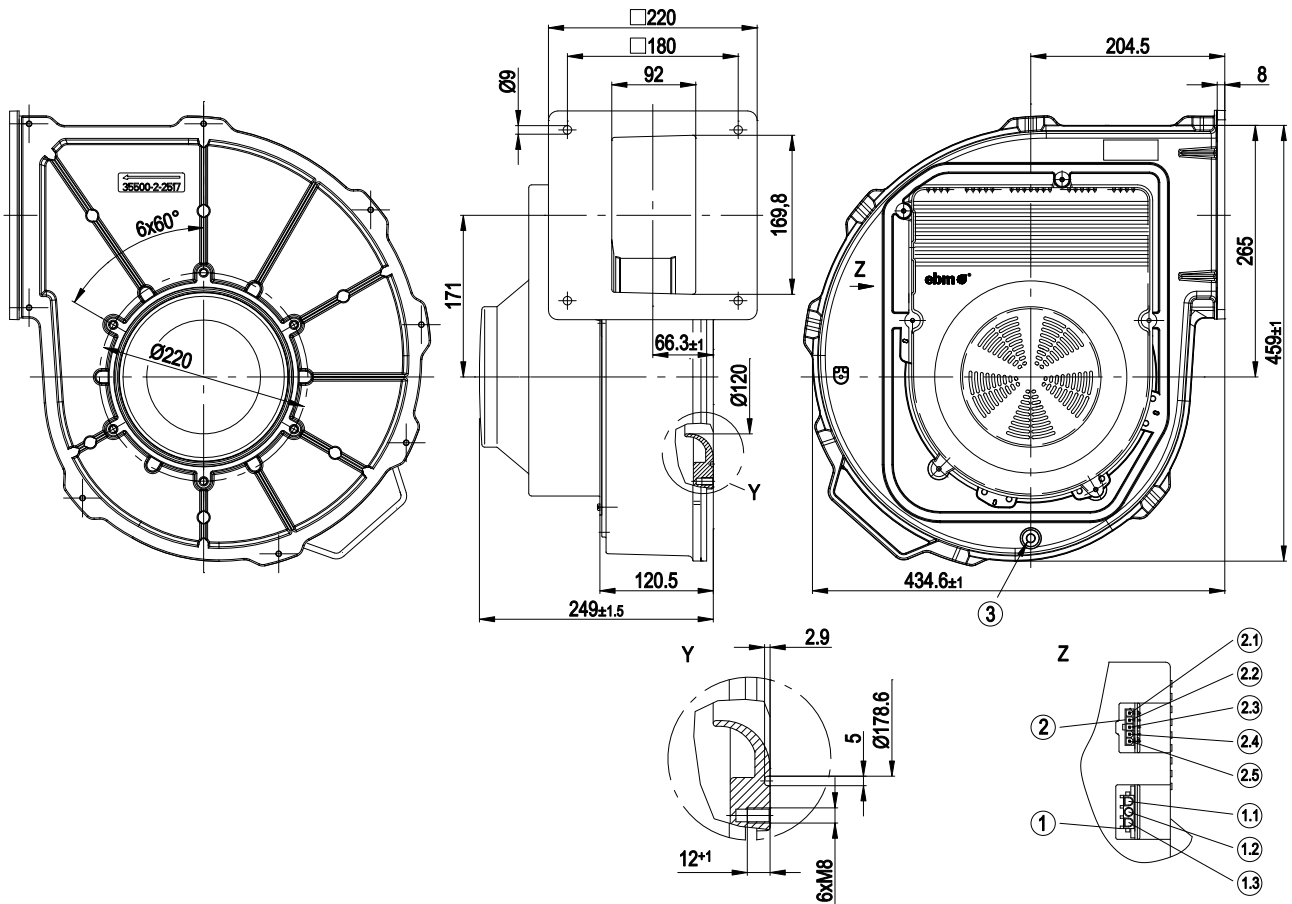
Leakage current	<= 3,5 mA
Size	250 mm
Operation mode	S1
Direction of rotation	Clockwise, seen on rotor
Mounting position	Any
EMC harmonics	Acc. to EN 61000-3-2/3
EMC interference emission	Acc. to EN 61000-6-4 (industrial environment)
EMC interference immunity	Acc. to EN 61000-6-2 (industrial environment)
Insulation class	"B"
Condensate discharge holes	Rotor-side
Bearing motor	Ball bearing
Mass	13.2 kg
Material of protective cover	Polyflam RPP 374-ND CS1 (UL 97-V0)
Housing material	Die-cast aluminum
Material of impeller	Aluminum sheet
Motor protection	Locked-rotor protection
Surface of rotor	Coated in black
Number of blades	7
Type of protection	IP 20
Protection class	I
Technical features	<ul style="list-style-type: none"> <li>- Tach output</li> <li>- Over-temperature protected electronics / motor</li> <li>- PFC, active</li> <li>- Motor current limit</li> <li>- Line undervoltage / phase failure detection</li> <li>- PWM control input</li> <li>- Control input 0-10 V</li> </ul>
Max. permissible ambient motor temp. (transp./ storage)	+80 °C
Min. permissible ambient motor temp. (transp./storage)	-40 °C
Approval	CSA C22.2 Nr.13; UL 507

# EC centrifugal fan

backward curved, single inlet

with housing (flange), Gas blower for gas-condensing heating

## Product drawing



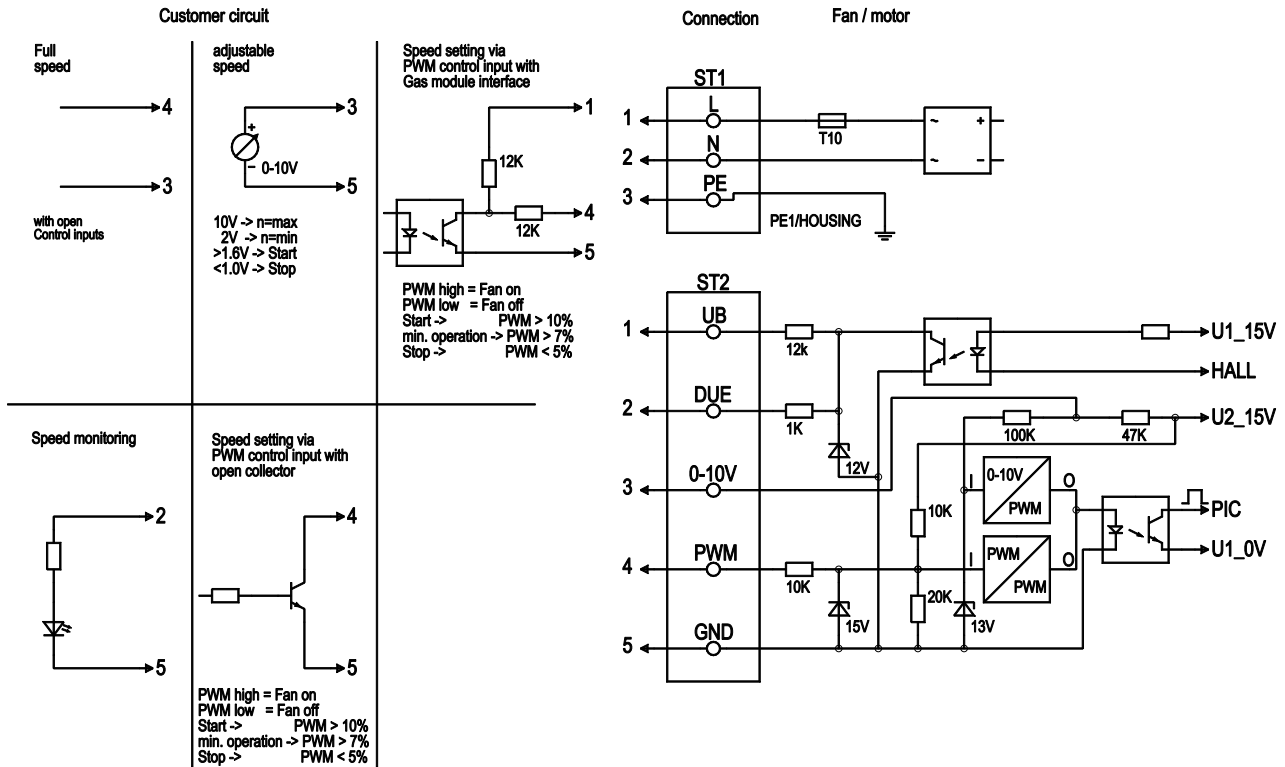
1	3-pole strip to fit mating connector (not included in standard scope of delivery) tyco No. 350766-1, female connector tyco No. 926884-1
1.1	L
1.2	N
1.3	PE
2	5-pole strip to fit mating connector (not included in standard scope of delivery) Molex No. 39-01-4050, female connector Molex No. 39-00-0059
2.1	+
2.2	Speed monitoring
2.3	0-10 VDC control input
2.4	PWM input
2.5	-
3	Pressure tap optionally available
Y	Detail Y
Z	View Z / plug assignment

# EC centrifugal fan

backward curved, single inlet

with housing (flange), Gas blower for gas-condensing heating

## Connection screen



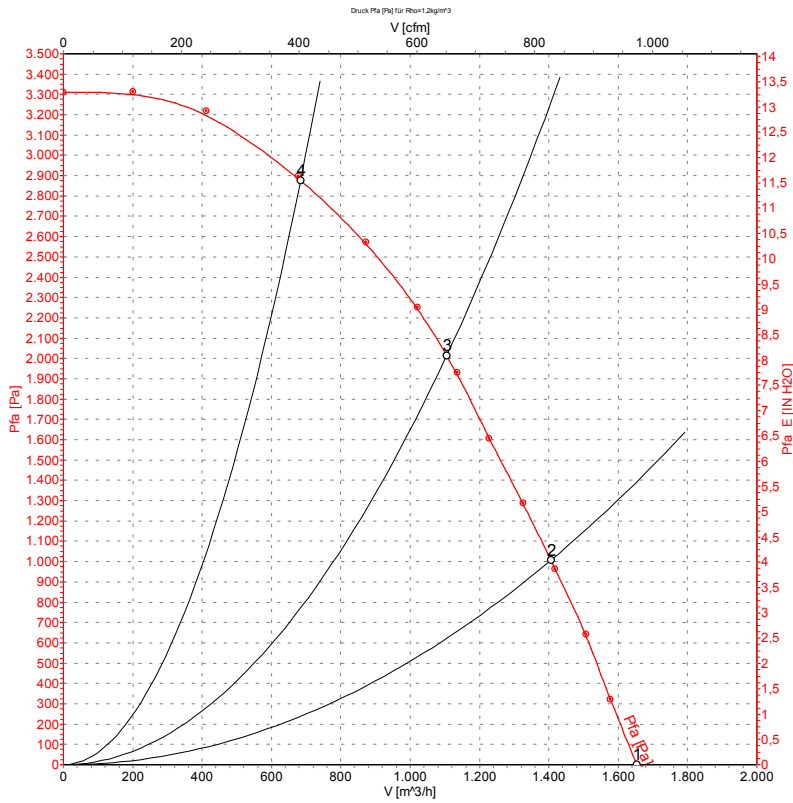
No.	Pin	Signal	Function / assignment
ST1	1; 2; 3	L; N; PE	Power supply 230 VAC, 50 - 60 Hz, phase, neutral, protective earth
St2	1	UB	External voltage 16 - 45 VDC, residual ripple +/- 3.5%, SELV
ST2	2	DUE	Speed monitoring, 3 pulses per revolution, SELV
ST2	3	0 - 10 V	Control input 0 - 10 V, impedance 100k, SELV
ST2	4	PWM	Control input PWM, 1 - 6 kHz, SELV
ST2	5	GND	GND - Connection for control interface, SELV

# EC centrifugal fan

backward curved, single inlet

with housing (flange), Gas blower for gas-condensing heating

## Charts: Air flow 50 Hz



Measurement: LU-76445

## Measured values

	U	f	n	P <sub>1</sub>	I	LpA <sub>ss</sub>	$\hat{V}$	p <sub>fa</sub>
	[V]	[Hz]	[min <sup>-1</sup> ]	[W]	[A]	[dB(A)]	[m³/h]	[Pa]
1	230	50	4890	1022	4.47	91	1655	0
2	230	50	4800	1150	5.00	89	1405	1000
3	230	50	4850	1117	4.87	81	1105	2000
4	230	50	5005	920	4.01	79	685	2900