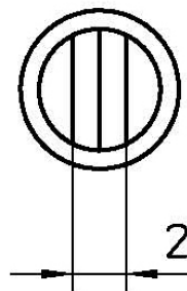
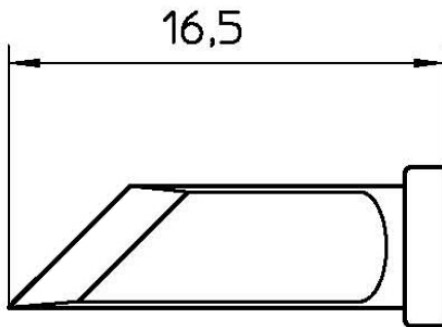


LT KNSL 45°

Code No.: T0054451999



Benefits



In addition we recommend:



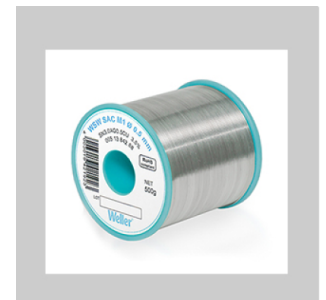
Fume extraction devices



Cleaning Consumables



Soldering Irons



Zubehoer



Technical Data

Tip form	Knife
Tip type	HM
Width in mm	2.0
Width in Inch	0.079
Thickness in mm	---
Thickness in Inch	---
Length mm	17
Length Inch	0.669
Heating output	---
Packaging unit	1

Owning the bench



PROFESSIONAL



FILTRATION



EREM



XCELITE