

S2D250-BA02-02

AC axial fan with guard grille for full nozzle straight blades (A series)



ebm-papst Mulfingen GmbH & Co. KG

Bachmühle 2

74673 Mulfingen

Phone: +49 7938 81-0

Fax: +49 7938 81-110

www.ebmpapst.com

info1@de.ebmpapst.com

Nominal data

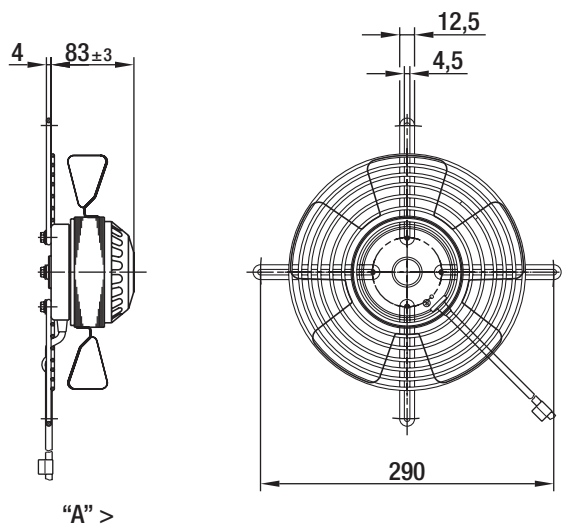
Type	S2D250-BA02-02		
Motor	M2D068-DF		
Phase		3~	3~
Nominal voltage	[V]	400	400
Connection		Y	Y
Frequency	[Hz]	50	60
Type of data definition		rfa	rfa
Valid for approval / standard		CE	CE
Speed	[min ⁻¹]	2650	2950
Power input	[W]	110	160
Current draw	[A]	0,22	0.26
Max. back pressure	[Pa]	205	300
Max. ambient temperature	[°C]	70	40
Air flow	[m ³ /h]	1685	1845
Back pressure	[Pa]	0	0
Sound pressure level	[dB(A)]	72	75

ml = max. load · me = max. efficiency · rfa = running at free air · cs = customer specs · cu = customer unit
Subject to alterations

Technical features

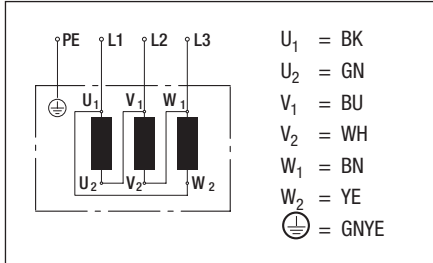
Size	250 mm
Operation mode	Continuous operation (S1)
Direction of rotation	Clockwise, seen on rotor
Direction of air flow	"A"
Insulation class	"B"
Cable exit	Lateral
Bearing motor	Ball bearing
Mass	2.2 kg
Material of impeller	Sheet steel, coated in black
Number of blades	5
Type of protection	IP 44 - depending on position
Protection class	I

Product drawing

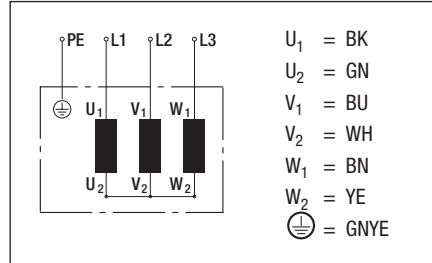


Connection screen

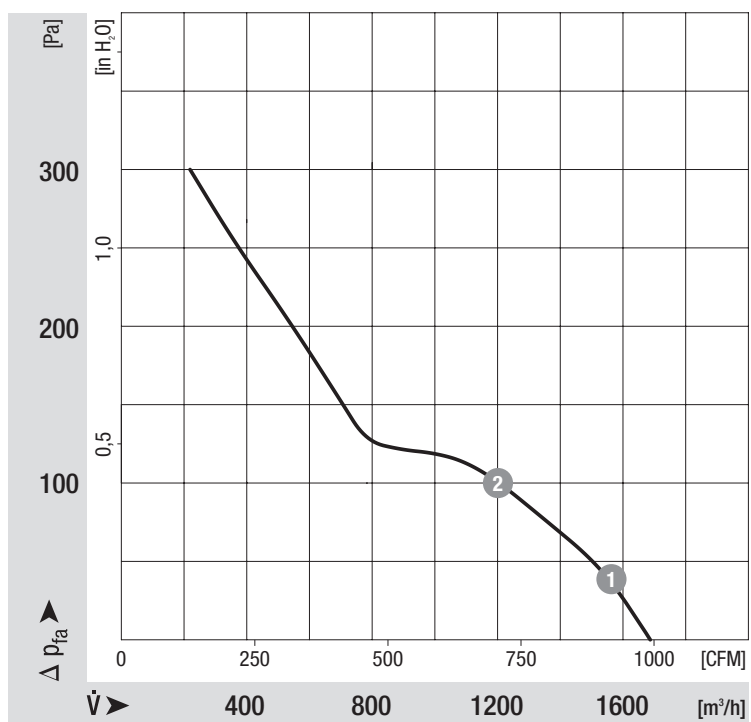
Delta (3~ 230 VAC)



Star (3~ 400 VAC)



Charts: Air flow 50 Hz



Measured values

	n	P ₁	I
	[min ⁻¹]	[W]	[A]
1	2645	123	0.23
2	2615	131	0.24

Charts: Air flow 60 Hz

