

**W1G200-EX91-03**

⊕ II 3G Ex nA IIA T4 Gc (-30°C ≤ TA ≤ +35°C) X  
ITS14ATEX47658X

# EC axial fan - ESM

sickled blades (S series), single inlet  
ESM wall ring



## ebm-papst Mulfingen GmbH & Co. KG

Bachmühle 2 · D-74673 Mulfingen

Phone +49 7938 81-0

Fax +49 7938 81-110

info1@de.ebmpapst.com

www.ebmpapst.com

Limited partnership · Headquarters Mulfingen  
County court Stuttgart · HRA 590344

General partner Elektrobau Mulfingen GmbH · Headquarters Mulfingen  
County court Stuttgart · HRB 590142

## Nominal data

Type	W1G200-EX91-03		
Motor	M1G055-BD		
Phase		1~	1~
Nominal voltage	VAC	115	115
Frequency	Hz	50/60	50/60
Type of data definition			ml
Speed	min <sup>-1</sup>	900	1300
Power input	W	-	8.0
Current draw	A		0.11
Max. back pressure	Pa		23
Min. ambient temperature	°C	-30	-30
Max. ambient temperature	°C	35	35

ml = Max. load · me = Max. efficiency · fa = Running at free air · cs = Customer specs · cu = Customer unit  
Subject to alterations



W1G200-EX91-03

⊕ II 3G Ex nA IIA T4 Gc (-30°C ≤ TA ≤ +35°C) X  
ITS14ATEX47658X

## EC axial fan - ESM

sickled blades (S series), single inlet  
ESM wall ring



### Technical features

Mass	1 kg
Size	200 mm
Material of blades	PA plastic
Material of wall ring	PC / ABS plastic
Number of blades	5
Direction of air flow	"V"
Direction of rotation	Counter-clockwise, seen on rotor
Type of protection	IP 54
Insulation class	"B"
Humidity class	F3-1
Max. permissible ambient motor temp. (transp./ storage)	+ 80 °C
Min. permissible ambient motor temp. (transp./storage)	- 40 °C
Mounting position	Any
Condensate discharge holes	None
Operation mode	S1
Motor bearing	Ball bearing
Technical features	<ul style="list-style-type: none"><li>- Direction of rotation selection counter-clockwise / clockwise</li><li>- Speed selection max/min</li><li>- Soft start</li><li>- Over-temperature protected motor</li></ul>
Speed steps	2
EMC interference immunity	Acc. to EN 61000-6-2 (industrial environment)
EMC harmonics	Acc. to EN 61000-3-2/3
EMC interference emission	Acc. to EN 61000-6-3 (household environment)
Motor protection	Thermal overload protector (TOP) wired internally
Cable exit	Lateral
Protection class	II
Product conforming to standard	EN 60335-1; EN 60335-2-89; 3G; CE
Approval	3G; EAC
Remark	Fan application category BV-3



W1G200-EX91-03

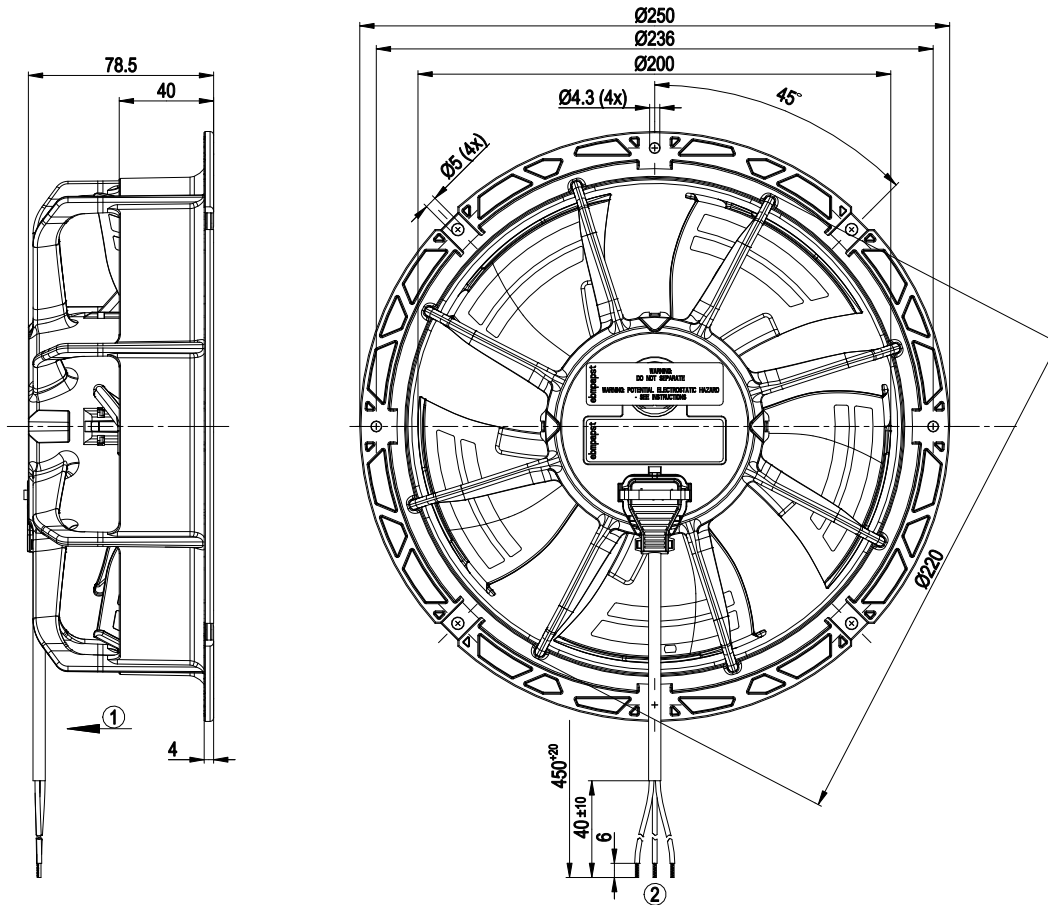
II 3G Ex nA IIA T4 Gc (-30°C ≤ TA ≤ +35°C) X  
ITS14ATEX47658X

# EC axial fan - ESM

sickled blades (S series), single inlet  
ESM wall ring

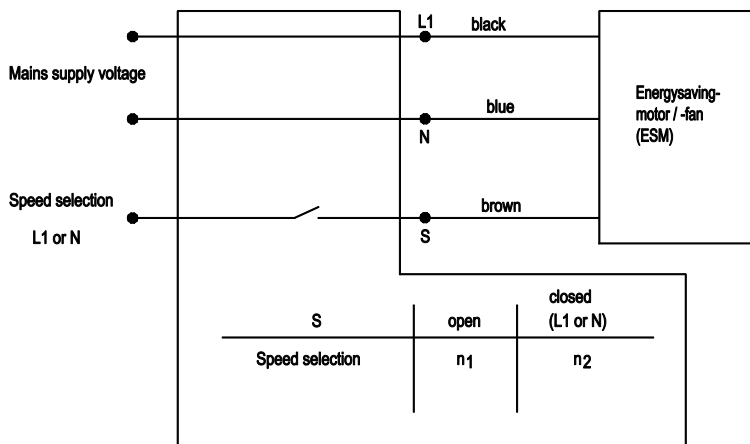


## Product drawing



- 1 Direction of air flow "V"
- 2 Connection line PVC 3X AWG20, 3x brass lead tips crimped

## Connection screen



W1G200-EX91-03

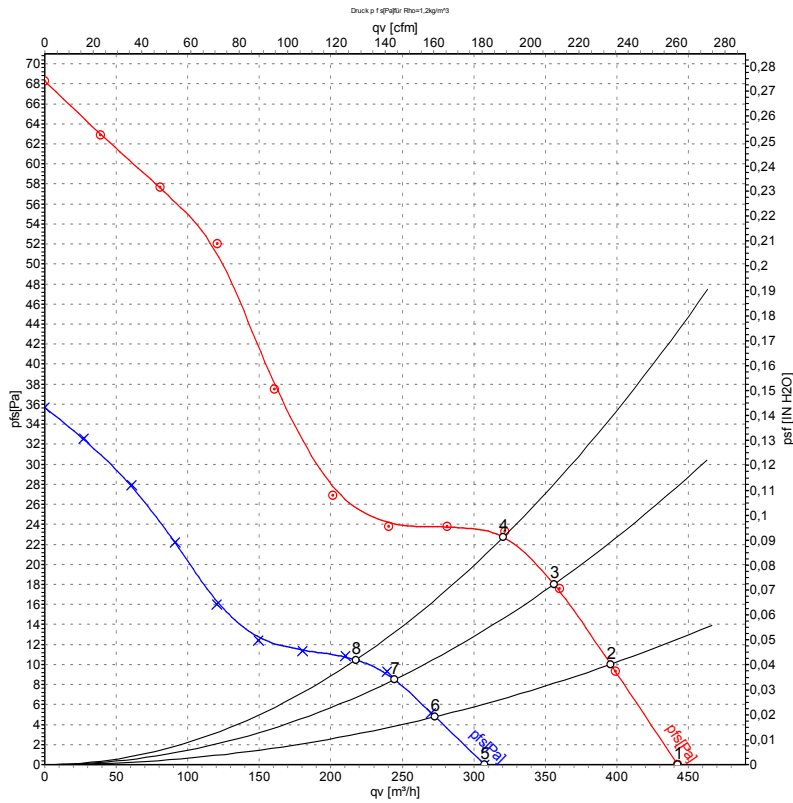
II 3G Ex nA IIA T4 Gc (-30°C ≤ TA ≤ +35°C) X  
ITS14ATEX47658X

# EC axial fan - ESM

sickled blades (S series), single inlet  
ESM wall ring



## Charts: Air flow 50 Hz



Measurement: LU-115139  
Measurement: LU-115142

Air performance measured as per ISO 5801 Installation category A. For detailed information on the measuring set-up, please contact ebm-papst. Suction-side noise levels: L<sub>WA</sub> measured as per ISO 13347 / L<sub>pA</sub> measured with 1m distance to fan axis. The values given are valid under the measuring conditions mentioned above and may vary according to the actual installation situation. With any deviation from the standard set-up, the specific values have to be checked and reviewed with the unit installed.

## Measured values

	U	f	n	P <sub>ed</sub>	I	qv	p <sub>fs</sub>
	V	Hz	min <sup>-1</sup>	W	A	m <sup>3</sup> /h	Pa
1	115	50	1300	6.9	0.09	445	0
2	115	50	1300	7.7	0.10	395	10
3	115	50	1300	7.9	0.10	355	18
4	115	50	1300	8.0	0.11	320	23
5	115	50	900	3.00	0.05	310	0
6	115	50	900	4.0	0.05	275	5
7	115	50	900	4.0	0.05	245	9
8	115	50	900	4.0	0.05	215	10

U = Supply voltage · f = Frequency · n = Speed · P<sub>ed</sub> = Power input · I = Current draw · qv = Air flow · p<sub>fs</sub> = Pressure increase

