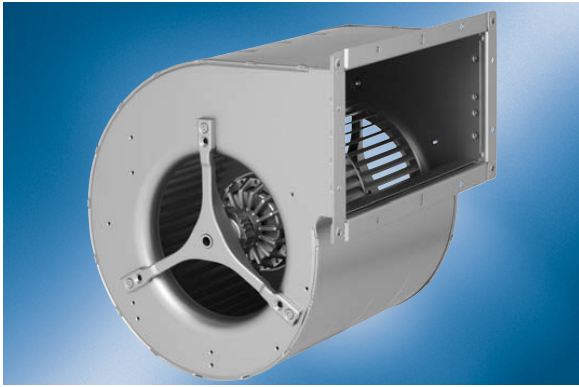


# AC centrifugal blower

Dual inlet, forward curved



- **Impeller material:** Sendzimir galvanized sheet steel
- **Housing material:** Sendzimir galvanized sheet steel
- **Design:** EW motor mounted with anti-vibration on both sides

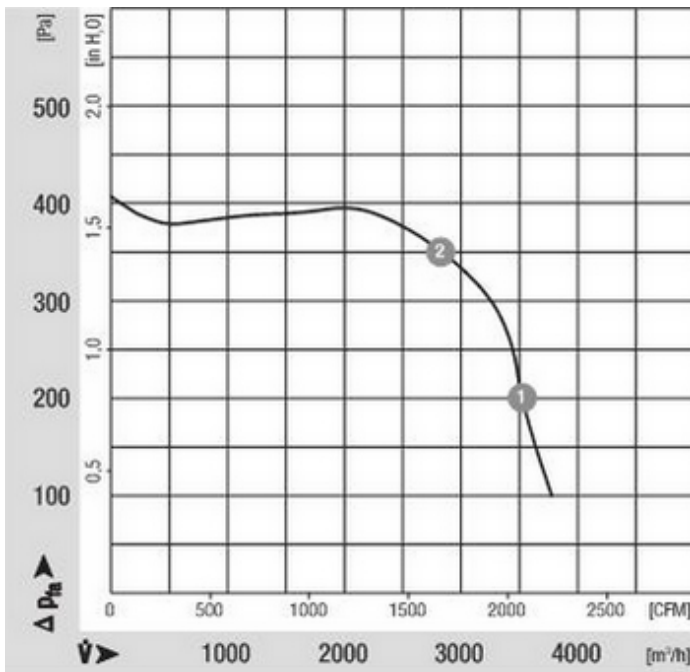
Nominal data		Voltage	Frequency	Air flow	Speed at highest load	Max. power consumption at highest load	Max. current draw at highest load	Capacitor capacity	Sound pressure level	Operative range 50Hz	Ambient temperature 50Hz	Weight
Type	Motor	1 - VAC	Hz	m³/h	1/min	W	A	uF/V	dB(A)	Pa	°C	kg
D4E250CA0101	M4E094LA	230	50	3770	1200	1250	6.00	14 / 500	74	100 .. 405	-40 .. 40	16.3

Subject to modification Measured with blow-off channel (length: 1 m - step diffuser)

Characteristic: Pressure over air flow at 50Hz

n	P <sub>1</sub>	I	LpA	ntL
[1/min]	[W]	[A]	[dBA]	[%]

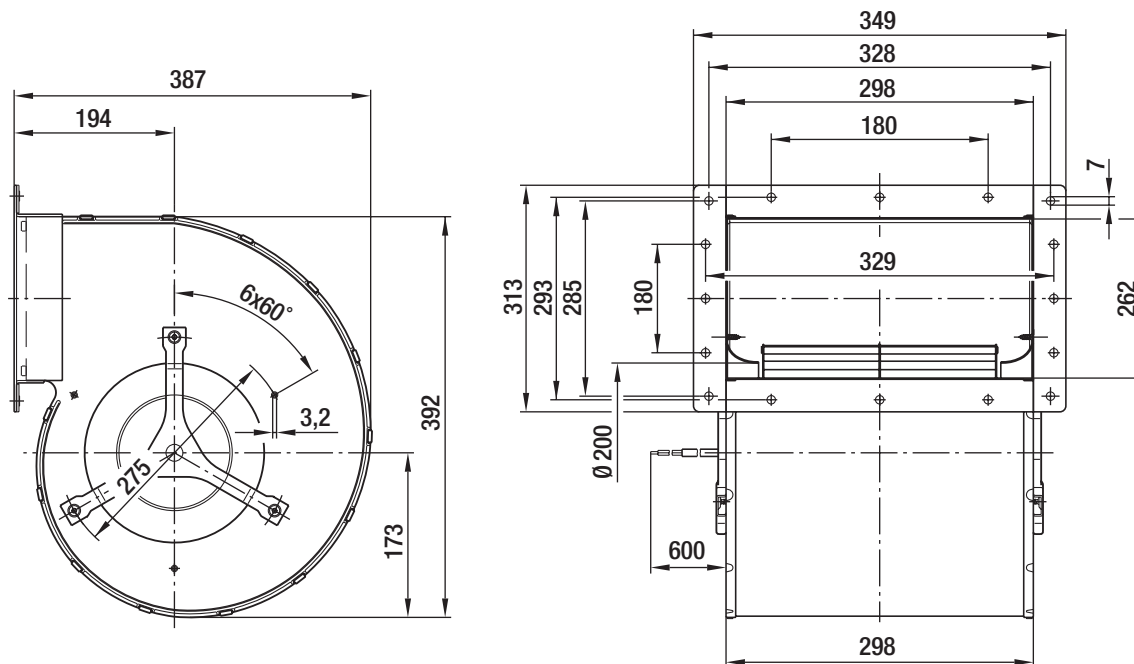
1	1270	1100	5,31	72	--
2	1370	788	3,94	69	--



# AC centrifugal blower

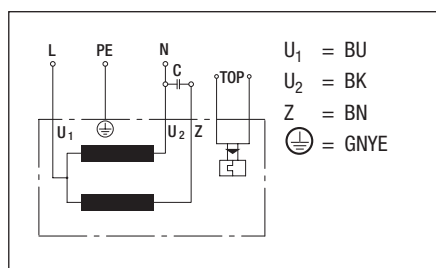
Dual inlet, forward curved

## Specific drawing



Hole with large flange only

## Connection illustration



## Technical description

- **Impeller material:** Sendzimir galvanized sheet steel
- **Design:** EW motor mounted with anti-vibration on both sides
- **Direction of rotation:** Clockwise, seen on rotor
- **Cable layout:** Axial
- **Operating mode:** Continuous operation (S1)
- **Protection class:** I
- **Motor protection:** Equipped with thermal overload protector
- **Option:** Mounting brackets on request
- **Housing material:** Sendzimir galvanized sheet steel
- **Bearings:** Maintenance-free ball bearings
- **Electrical connection:** Brass lead tips
- **Guideline:** CE
- **Insulation class:** "F"
- **System of protection:** IP 20
- **Approvals:** GOST

## Contact

ebm-papst Mulfingen GmbH & Co. KG

Bachmühle 2

D-74673 Mulfingen

Phone +49 (0) 79 38 / 81-0

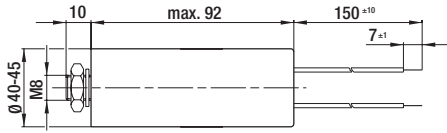
Fax +49 (0) 79 38 / 81-110

info1@de.ebmpapst.com

www.ebmpapst.com

# MKP motor capacitor (without fuse), 14.0 $\mu$ F

Order No.	Capacity
30457-4-7320	14.0 $\mu$ F



## Technical description

- **Material:** Housing of Thermoplast
- **Connecting cable:** Multi-core PVC wire 0.5 mm<sup>2</sup> (16 x 0.2 mm<sup>2</sup>) with wire-end clamp
- **Approvals:** VDE in accordance with DIN EN 60252 (VDE 0560/8)
- **Expected service life:** 400 VDB; -25 to +85°C; 30,000 hrs.; Class A  
450 VDB; -25 to +85°C; 10,000 hrs.; Class B

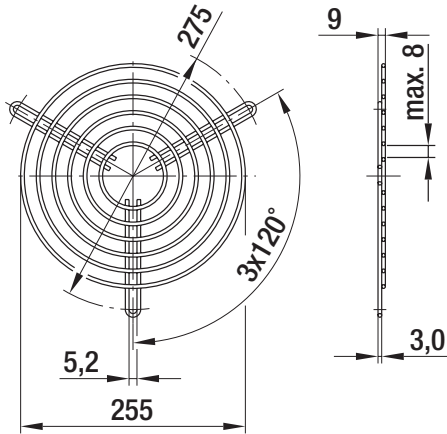
## Contact

ebm-papst Mulfingen GmbH & Co. KG  
Bachmühle 2  
D-74673 Mulfingen  
Phone +49 (0) 79 38 / 81-0  
Fax +49 (0) 79 38 / 81-110  
info1@de.ebmpapst.com  
www.ebmpapst.com

# Guard grille

Order No.

25825-2-4039



## Technical description

- **Material:** Phosphated steel wire, plastic-coated, silver-metallic gloss

## Contact

ebm-papst Mulfingen GmbH & Co. KG

Bachmühle 2

D-74673 Mulfingen

Phone +49 (0) 79 38 / 81-0

Fax +49 (0) 79 38 / 81-110

info1@de.ebmpapst.com

www.ebmpapst.com