

RLD76/8600Z-3030L

# AC centrifugal fan

forward curved, dual inlet  
with housing (without flange)

## ebm-papst Landshut GmbH

Hofmark-Aich-Straße 25

D-84030 Landshut

Phone: +49(0)871/707-0

Fax: +49(0)871/707-465

info3@de.ebmpapst.com

www.ebmpapst.com

## Nominal data

Type	RLD76/8600Z-3030L	
Phase		1~
Nominal voltage	VAC	230
Frequency	Hz	50
Speed	min <sup>-1</sup>	2150
Power input	W	58
Current draw	A	0.53
Max. ambient temperature	°C	60
Air flow	m <sup>3</sup> /h	210
Back pressure	Pa	165

ml = max. load · me = max. efficiency · rfa = running at free air · cs = customer specs · cu = customer unit  
Subject to alterations

RLD76/8600Z-3030L

# AC centrifugal fan

forward curved, dual inlet  
with housing (without flange)

## Technical features

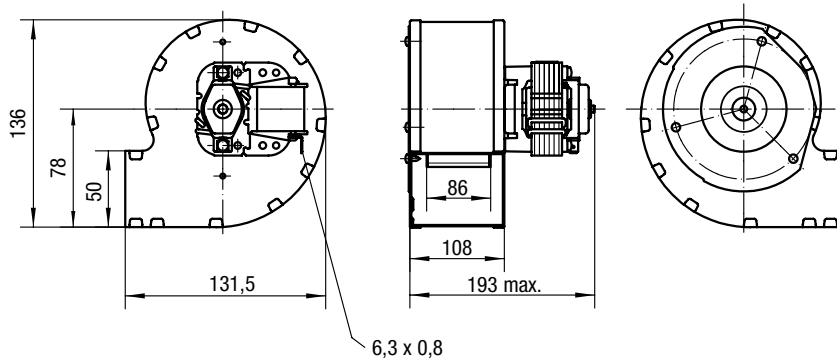
<b>General description</b>	Mounting position: Shaft horizontal
<b>Connection line</b>	Flat plug 6.3x0.8
<b>Insulation class</b>	"B"
<b>Mass</b>	1.5 kg
<b>Housing material</b>	Fire-aluminized sheet steel
<b>Material of impeller</b>	Aluminum (Fire-aluminized sheet steel)

RLD76/8600Z-3030L

# AC centrifugal fan

forward curved, dual inlet  
with housing (without flange)

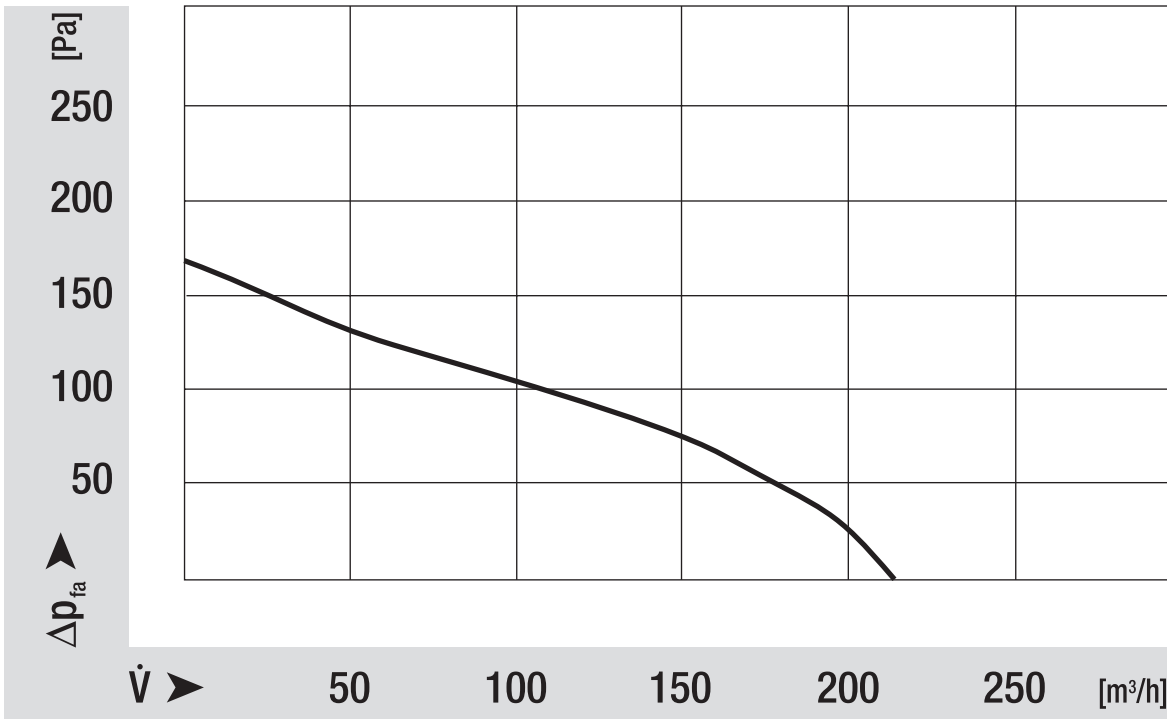
## Product drawing



# AC centrifugal fan

forward curved, dual inlet  
with housing (without flange)

## Charts: Air flow



# AC centrifugal fan

forward curved, dual inlet  
with housing (without flange)

## Charts: Speed

