

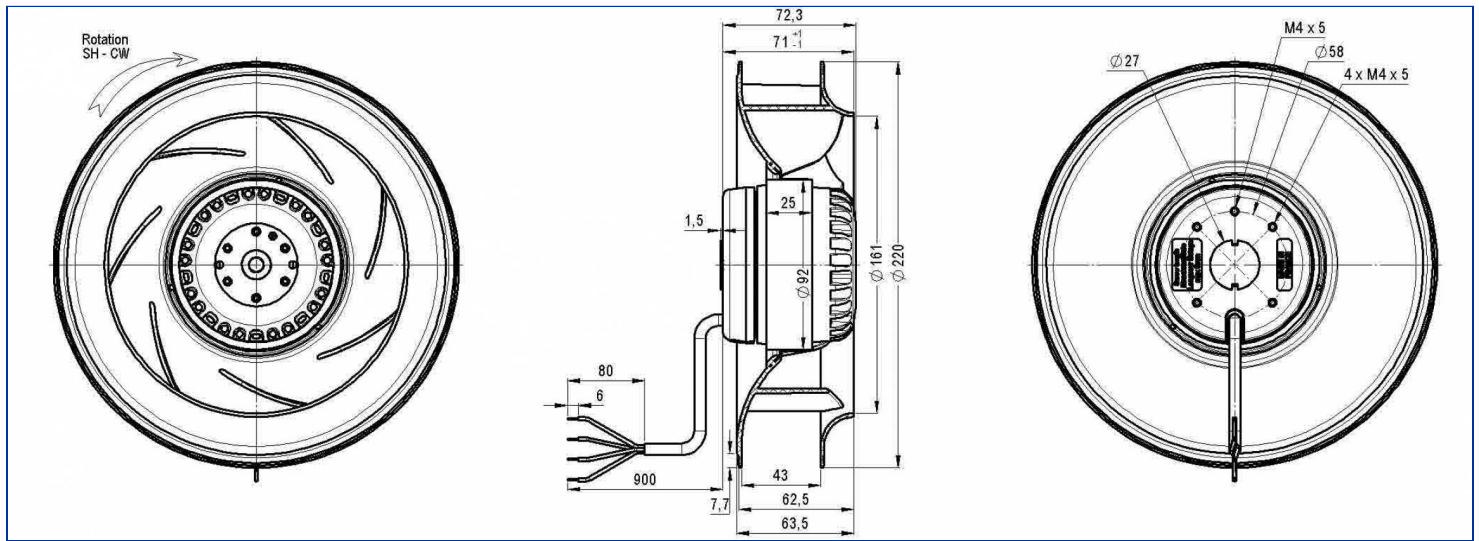


Designation **2RRE25 220x43R**

Range Backward curved centrifugal fans with single phase asynchronous motor

ELECTRICAL DATA

Speed	SGV	SGV
Tension (V)	230	230
Frequency (Hz)	50	60
Current (A)	0.38	0.51
Maximum current (A)	0.47	0.62
Power (W)	85	115
Maximum power (W)	99	130
Rotation (RPM)	2550	2805
Cos Φ	0.973	0.980
Temperature min/max (°C)	-20/+70	-20/+70
Capacitor (μ F)	3.00	3.00
U_condo (V)	400	400



MARKING & STANDARDS

Conformity

- CE



The product is manufactured in accordance with EN 60335-1, and RoHS directive 2015/863/CE
IP class according to EN 60034-5 to be checked with operation and installation

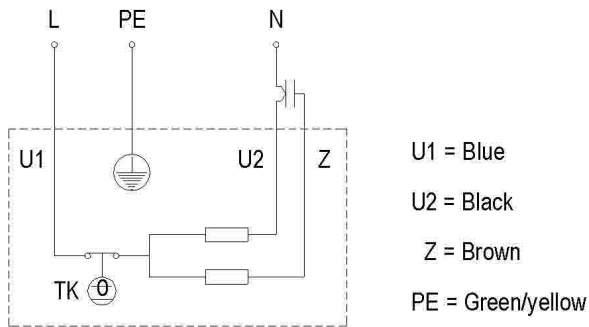
Issued: 2021-02-23 at 09:17 Documentations and pictures are non contractual, all the data of the technical file and the drawing are subject to change.

TECHNICAL DATA

Description

- Weight: 1.80 kg
- With Condensat Drain Holes
- Class F
- Protection level: 44 | Protection against ingress of solid with diameter ≥ 1 mm / Protection against ingress of water : splashing
- Motor's protection T150° C Automatic reset
- Bearing type: 2 ball bearings 608ZZ
- Balance level: G2.5

Wiring diagram



Finishes

- Rotor : black paint
- Plastic impeller | Material : PP-T20



ADDITIONAL DATA

Accessories

- 19012 | Capacitor
- 16291 | Inlet cone

Documentations

- Operating and recycling manual
<http://www.ecofit.com/anglais/normes>

Measurement setup

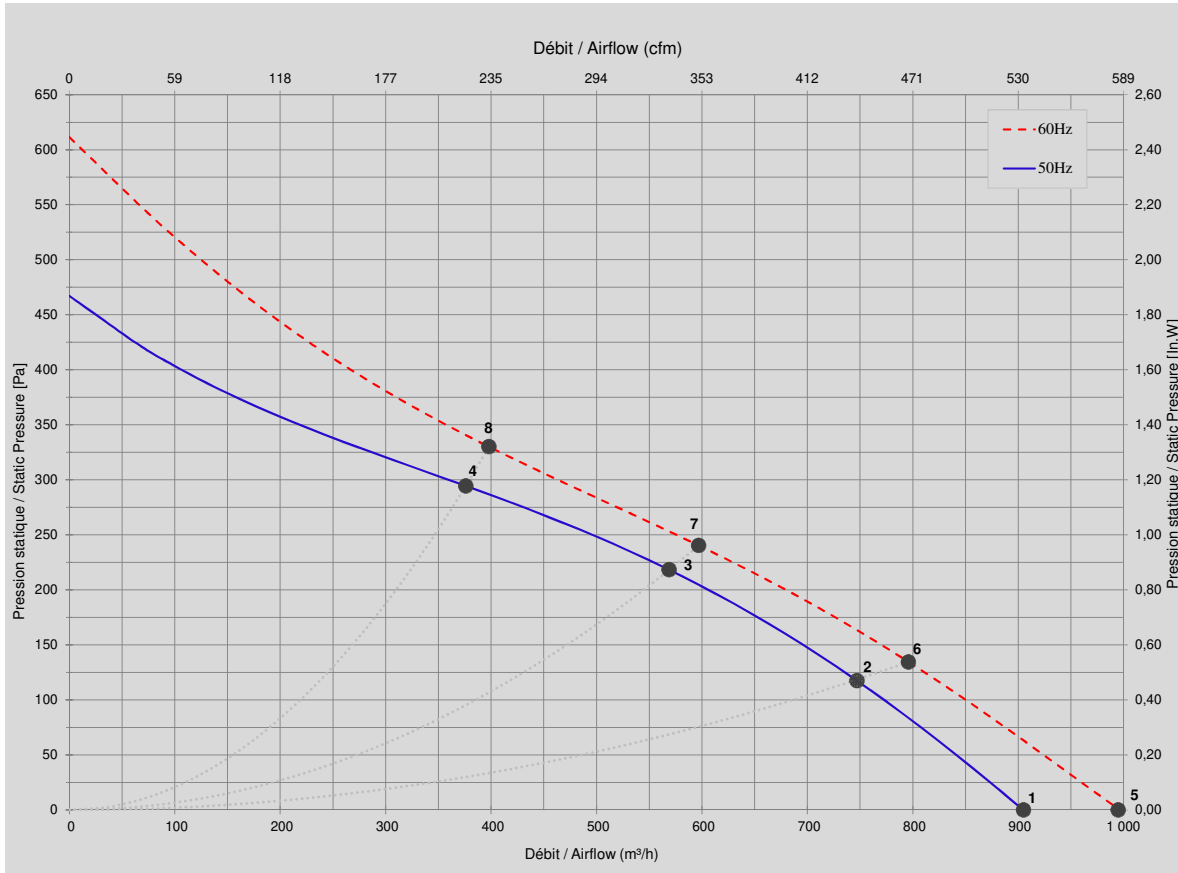
- Ouie 16291-0 Ouie P/Turb. Ø220 E-Wheel

ERP DATA

ErP Directive ErP (EU 2009/125/EC) not applicable:

- Power at optimum energy efficiency point <125W

TECHNICAL DATA



Mesures / Measured Values *

	Un (V)	F (Hz)	C (µF)	P (W)	n (RPM)	Q (m³/h)	P (Pa)	Q (cfm)	P (in.W)	Lp _n (dBA)
1	230	50	3	85	2550	905	0	533	0,000	64,0
2	230	50	3	94	2453	747	118	440	0,471	62,0
3	230	50	3	99	2404	569	218	335	0,874	58,0
4	230	50	3	96	2434	376	295	221	1,180	59,0
5	230	60	3	115	2805	995	0	586	0,000	66,0
6	230	60	3	125	2621	796	135	469	0,539	63,0
7	230	60	3	130	2524	597	240	351	0,963	60,0
8	230	60	3	127	2584	398	330	234	1,322	61,0

* Air performance measured according to: ISO 5801, installation category C.
Intake-side sound level: according to ISO 3744, LpA measured at 1 m distance from fan axis. The values given are only applicable under the specified measuring conditions and may differ depending on the installation conditions. In the event of deviation

The product is manufactured in accordance with EN 60335-1, and RoHS directive 2015/863/CE
IP class according to EN 60034-5 to be checked with operation and installation