

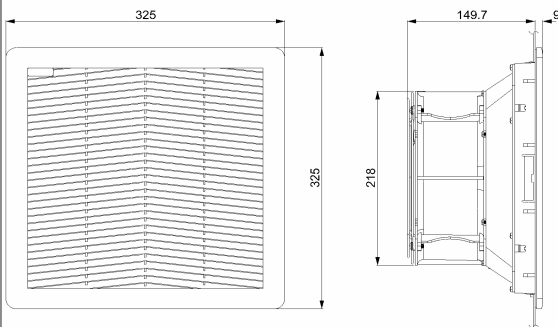
**"FPF20K" SERIES FAN FILTERS**

Description: Fan filters 115/230/400 Va.c.

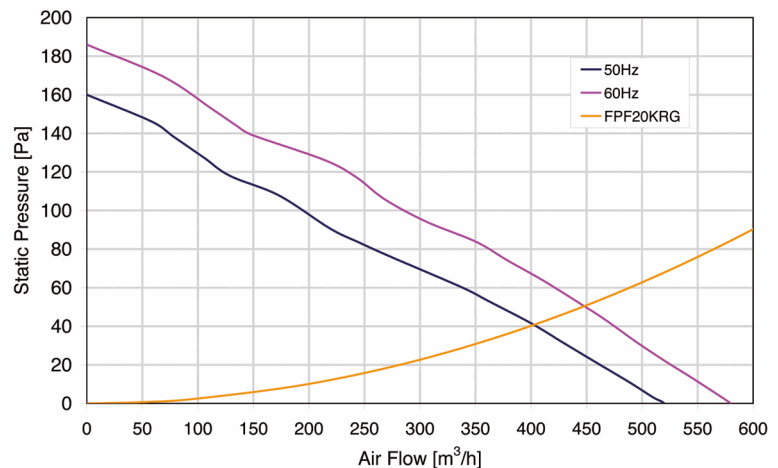
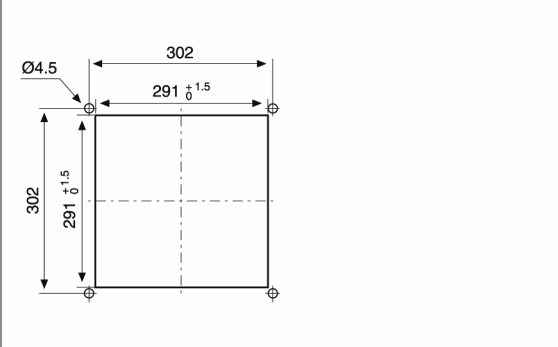


<b>Type of material:</b>	ABS/PC alloy
<b>Standard color:</b>	RAL 7032, RAL 7035 and RAL 9005 - other colors on request
<b>Protection degree:</b>	IP54, according to EN 60529 standard
<b>Fixing method:</b>	by elastic hooks, otherwise by four 4.8 mm self-threading screws
<b>Plate thickness:</b>	from 1.5 mm to 2.2 mm
<b>Storage temperature:</b>	from -30°C to +75°C
<b>Motor Lifetime L10 at 40°C (approx.):</b>	50,000 h
<b>Working class of capacitor:</b>	class B
<b>Motor protection:</b>	thermal
<b>Electrical connection:</b>	by terminal block 3 poles L-N-PE or 4 poles L1-L2-L3-PE
<b>Earth connection:</b>	(by terminal block, PE pole)
<b>Appliance class:</b>	Class I
<b>Type of filter media:</b>	thermo-linked progressive structure synthetic fibre
<b>Filtering class:</b>	class G3, according to EN 779
<b>Degree of separation:</b>	85% - DIN 24185
<b>Dust retention capacity:</b>	600 g/m <sup>2</sup>
<b>Note:</b>	filter media is washable for about 10 times
<b>Weight:</b>	3.7 kg
<b>Approvals:</b>	CE

**technical drawing**



**mounting cut-out**



All specifications, data and drawing are subject to change without notice and are approximate. Please refer to our terms of sales including our warranty and limited liabilities clauses.

Model	Voltage	Frequency	Rated Current	Rated Power	Max Air Flow**	Static Pressure	Fan Noise	Rated Temp. Range	Approvals
	(V)	(Hz)	(A)	(W)	(m3/h)	(Pa)	[db(A)]	(°C)	
FPF20K*115BE-120	115 V a.c.	50/60	0.54/0.65	50/64	520/580	160/186	66.0/69.2	-10 ÷ +55	CE
FPF20K*115BER-120	115 V a.c.	50/60	0.54/0.65	50/64	520/580	160/186	66.0/69.2	-10 ÷ +55	CE
FPF20K*230BE-120	230 V a.c.	50/60	0.300/0.382	67/87	520/580	160/186	65.3/68.1	-10 ÷ +50	CE
FPF20K*230BER-120	230 V a.c.	50/60	0.300/0.382	67/87	520/580	160/186	65.3/68.1	-10 ÷ +50	CE
FPF20K*400TBE-120	400 V a.c.	50/60	0.140/0.130	71/93	520/580	160/186	69.8/72.7	-10 ÷ +55	CE
FPF20KR400TBER-120	400 V a.c.	50/60	0.140/0.130	71/93	520/580	160/186	69.8/72.7	-10 ÷ +55	CE

\* U = RAL 7035 R = RAL 7032 N = RAL 9005 \*\* data with uncertainty of 15%