

Fan speed controller HC User guide



Welcome

Thank you very much for purchasing Reventon Group device. We would like to congratulate you on excellent choice. Controllers are designed to regulate the rotational speed of single phase fan motor. They can also be used to regulate temperature of heating elements. They are available in several versions, varying maximum current which device can conduct. The selection of the appropriate model depends on the number of the devices that have to be connected to the regulator. Please read and keep this manual. In case of any doubts please contact directly the producer Reventon Group sp. z o.o.

Package content

- fan speed controller HC
- user guide
- mounting screws

Service

We offer the warranty of 24 months from the sales day. Please become acquainted with the Warranty Terms on the website <http://www.reventongroup.eu/en/complaints>.

Safety rules

The installation of the controller can be made by qualified electrician. During the installation and all maintenance work device has to be disconnected from power grid. Maximum current drawn by controller HC cannot exceed the maximum rated current for particular regulation stage (see table below).

Transport and storage

The original packaging used by the manufacturer is a warranty of safe transport and storage. The device should be kept in original packaging in temperature from 5°C to + 50°C.

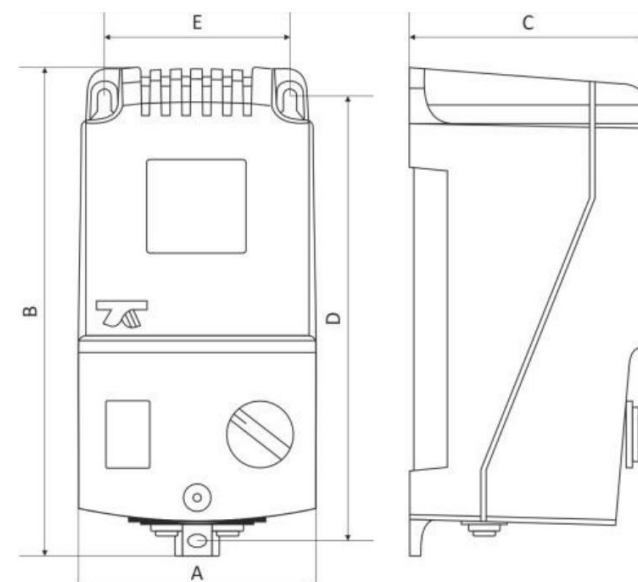
Technical data

- Power supply 230 V
- Other electrical parameters:

MODEL	REGULATION STAGE U_r [V] / I_r [A]				
	1	2	3	4	5
HC 1,2 A	80/1,0	105/1,1	135/1,2	170/1,2	230/1,2
HC 3,0 A	115/2,2	135/2,5	155/2,8	180/3,0	230/3,0
HC 5,0 A	80/4,0	105/4,3	135/4,6	170/5,0	230/5,0
HC 7,0 A	80/6,0	105/6,3	135/6,6	170/7,0	230/7,0
HC 14,0 A	80/8,0	105/9,5	135/11,0	170/12,5	230/14,0

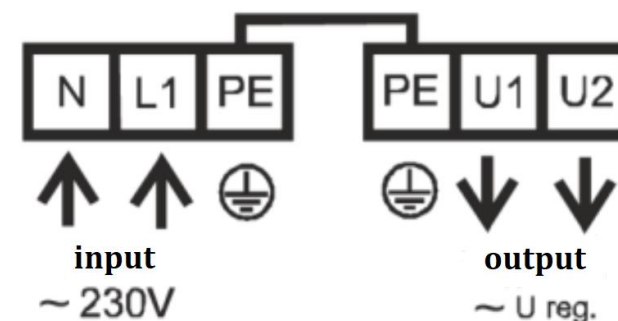
- Degree of protection: IP 54
- Ambient temperature: $\leq 40^\circ\text{C}$
- Protection: resistant to occasional overload; automatic thermal switch (HC 1.2 A - HC 7.0 A); not-automatic thermal switch type WEBER (HC 14.0 A)
- Compliance with the norm: PN-EN61558-2-13
- Insulation class: II

Dimensions



MODEL	DIMENSIONS [mm]					ϕ mm	WEIGHT kg
	A	B	C	D	E		
HC 1,2 A	77	138	71	128	-	M4	1,45
HC 3,0 A	96	166	91	78	148	M4	2,5
HC 5,0 A	145	210	145	100	155	M6	4,5
HC 7,0 A	145	210	145	100	155	M6	5,5
HC 14,0 A	147	277	155	113	255	M6	10,5

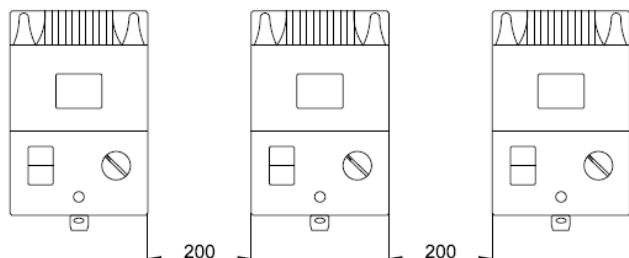
Electrical diagram



Installation

Precautions:

- ensure the ambient temperature is $\geq 40^{\circ}\text{C}$
- during the operation the housing can get hot
- there should be free space 200 mm around the device
- when you install more than one controller the distance between them must be at least 200 mm
- the device must be installed in vertical position



'Step by step':

- screw the controller to a plate area (e. g. wall) with the screws
- open the controller housing by unscrewing the cover screws
- insert the wires through the grommets
- connect electrical wires according to electrical diagram
- during closing the cover, take care about the correct arrangement of the internal wires
- in supply circuit should be short circuit protection



WARNING: Please arrange the professional technician to install this product according to installation drawing and instruction.

RISK OF ELECTRICAL SHOCK: Disconnect power supply before making electrical connection. Contact with components carrying hazardous voltage can cause electrical shock and may result in severe personal injury or death.