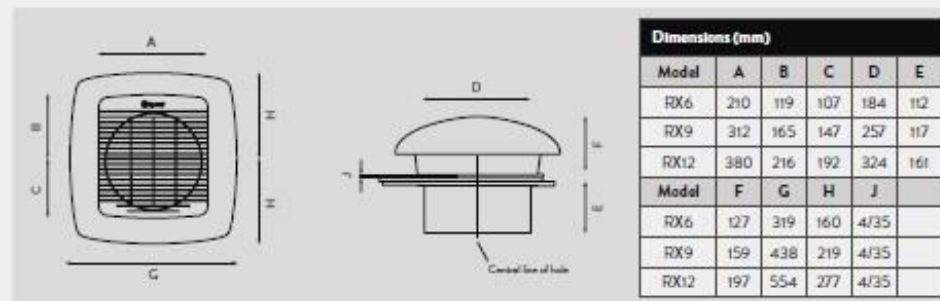


RX6, RX9 & RX12 Commercial roof fans



RX models are a neat way of ventilating through glazed and solid roofs and can be used vertically in windows on exposed sites such as coastal areas and high rise buildings. They are suitable for single and sealed double-glazed windows and panels up to 25mm. For flat roofs an optional roof-mounting plate allows RX models to be fitted to dressed curbs.

On RX9 and RX12 units a positive plug and socket assembly provides a means of isolation for service access without the safety risk of accidental disconnection. These two models feature totally enclosed external rotor motors providing constant volume outputs, even in gusty external conditions.



Product Features	RX6	RX9	RX12
Reference Number	90818AW	90424AW	90425AW
Trade Price	£203.42	£391.24	£516.46
Standard	✓	✓	✓
6" Impeller	✓		
9" Impeller		✓	
12" Impeller			✓
Reversible Intake/Extract		✓	✓
Silent Electro-thermal Shutter	✓	✓	✓
Trickle Ventilation Facility	✓	✓	✓
Roof Cowl Assembly	✓	✓	✓
Safety Finger Guard	✓	✓	✓

Product Selector	RX6	RX9	RX12
Reference Number	90818AW	90424AW	90425AW
Remote Switch (not supplied)	✓	✓	✓
Extract Only	✓		
Selectable Intake, Extract or Controller Operation		✓	✓
Speeds	1	2	2
Extract Performance (m ³ /h)	172	376/446	386/489
Extract Performance (l/s)	48	104/124	107/136
Intake Performance (m ³ /h)		384/438	709/915
Intake Performance (l/s)		107/122	197/254
Sound Pressure Level (dBA @3m)	39	49/52	48/56
Electrical Power Rating (W)	35	41	87
Hole Diameter (Ømm)	184	257	324
Max. Wall Thickness (mm)	25	25	25
Weight (kg)	3.8	4.5	7.9
UK Guarantee (years)	2	2	2

