



# 2GDS25 133x190R

## Z18-17 p

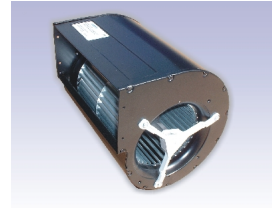


### DATA SHEET

release. d - Revision 12-2015

Replace N05-39 p

Voltage	Frequency	Input Power	Input Current	Capacitor	Airflow	Rotation speed	Acoustic level	Direction rotation	Admissible Temperature
V	Hz	W	A	µF	m³/h	RPM	dBA	↻	Min/Max
230	50	180	0,79	4,0	655	1370	60	R	-20°C / +60°C
230	60	188	0,82	4,0	555	1525	57	R	-20°C / +50°C
230	50				385 CFM				-4°F / 140°F
230	60				326 CFM				-4°F / 122°F



dBA : free blowing

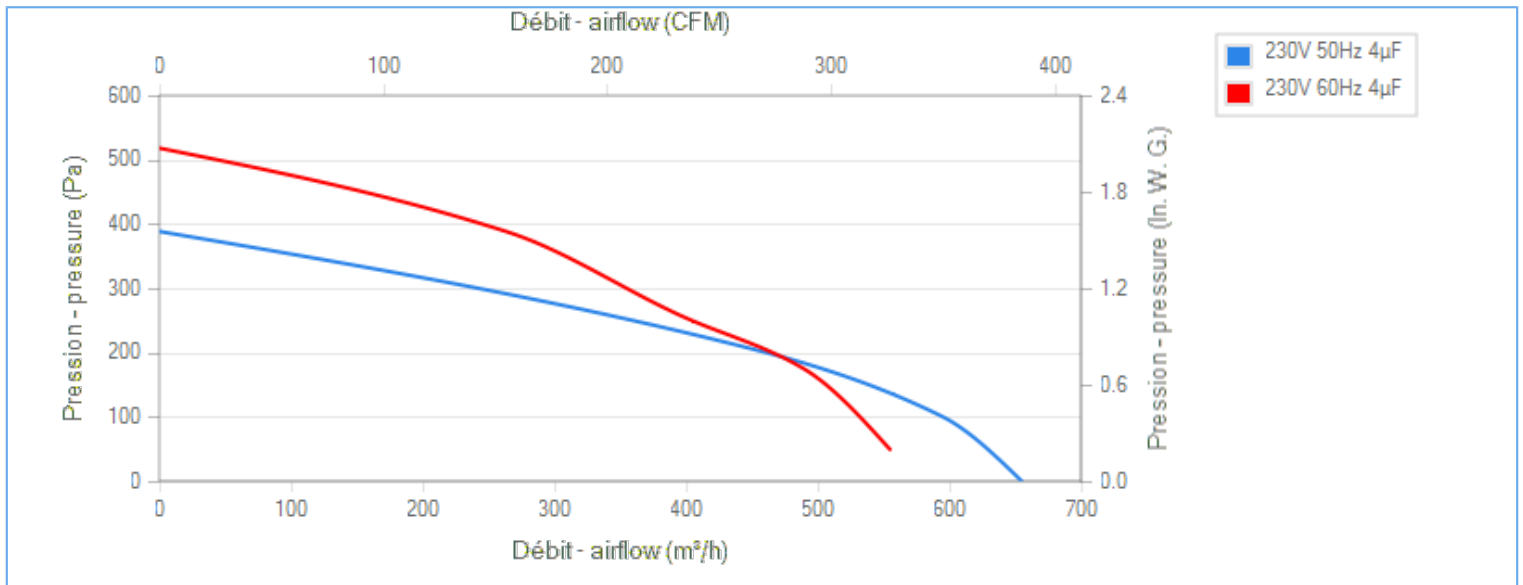
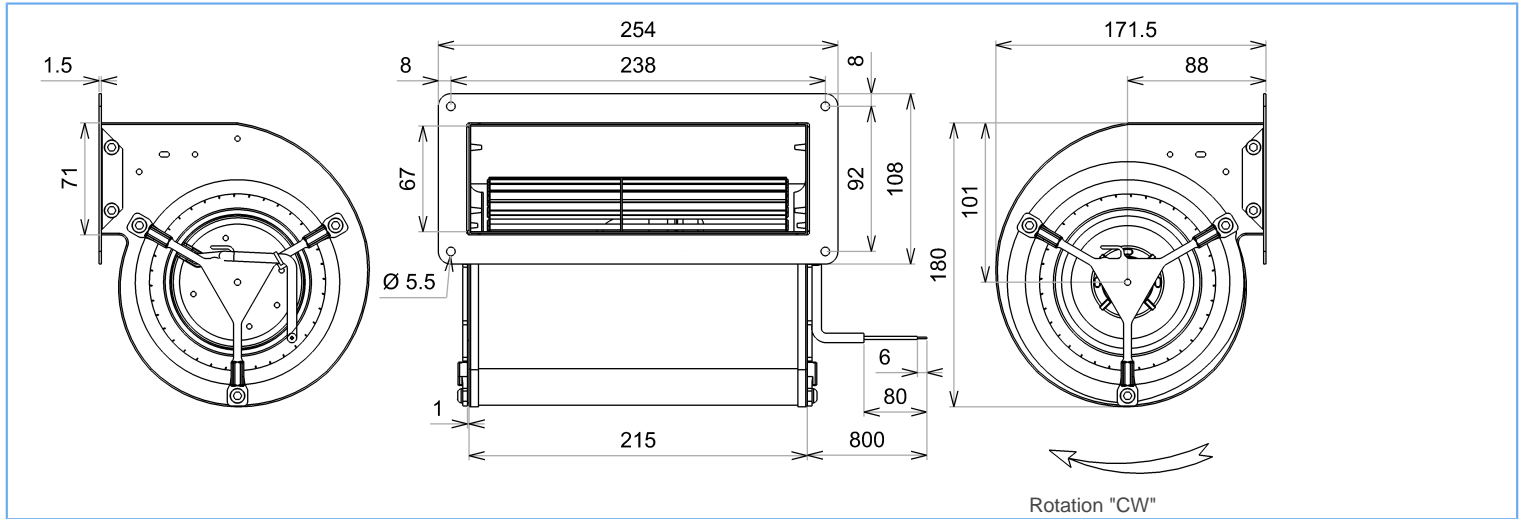
NA : not applicable

ErP 2013

NA

ErP 2015

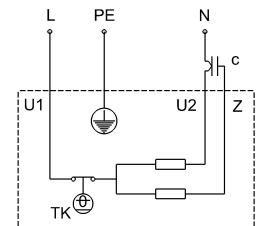
NA



### Description

- .Weight : 3,4 Kg
- .Ball bearing
- .Class F, thermally protected
- .IP44 protection depending on installation and position as per EN60034-5
- .G2.5 balancing
- .Scroll housing : black paint
- .Galvanized steel impeller

U1 = Blue  
U2 = Black  
Z = Brown  
PE = Green/Yellow





**DATA SHEET**

release. d - Revision 12-2015

Replace N05-39 p

**Data in accordance to ErP directive**

Voltage	230	V
Frequency	50	Hz
Power	0,112	kW <sup>(1)</sup>
Airflow	314	m <sup>3</sup> /h <sup>(1)</sup>
Pressure	284	Pa <sup>(1)</sup>
Rotation speed	2544	RPM <sup>(1)</sup>

(1) at optimal efficiency point

ErP directive (EU 2009/125/EC) not applicable :  
Power at optimum energy efficiency point

**Accessories**

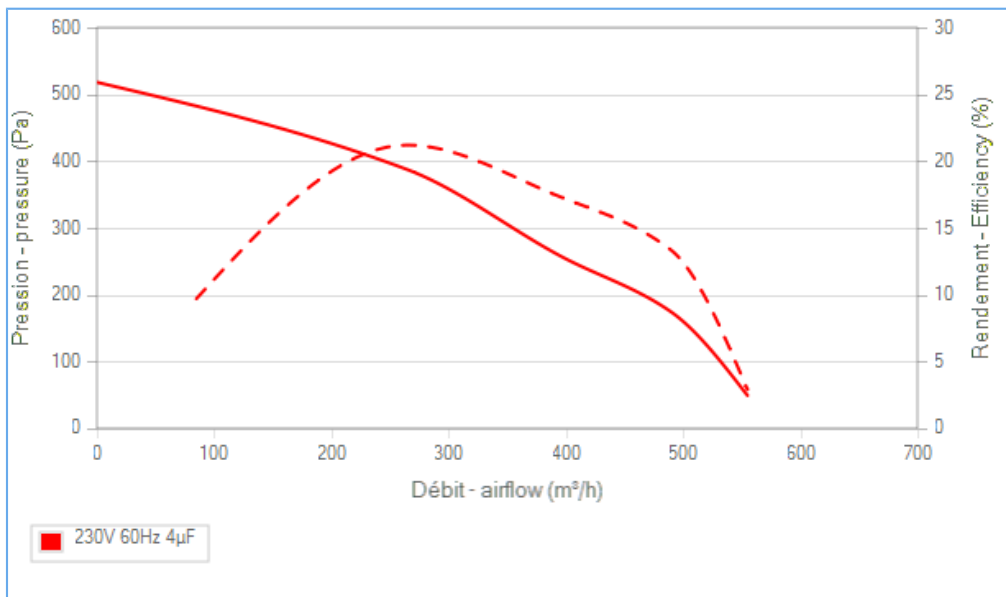
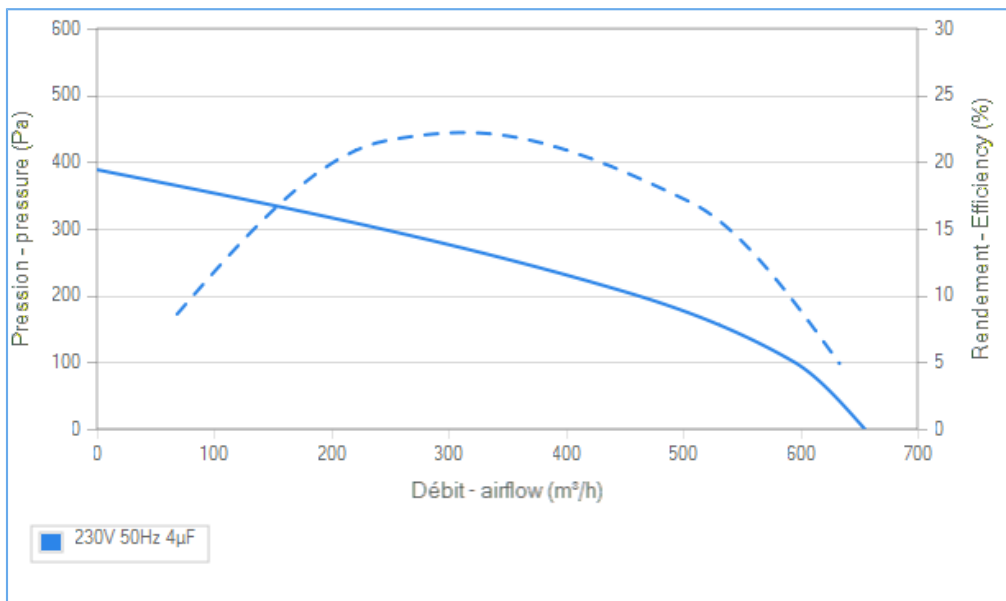
- 19019
- 19019
- 21236
- 19147

**Measurement setup**

Contact ECOFIT

**Documents**

- Manuel d'utilisation  
[www.ecofit.com/site/normes](http://www.ecofit.com/site/normes)
- Operating and recycling manual  
[www.ecofit.com/anglais/normes](http://www.ecofit.com/anglais/normes)



Non contractual document. All specifications are subject to change without prior notice. Picture for information only.

