

CX10 & CMF

Commercial ceiling-mounted fans

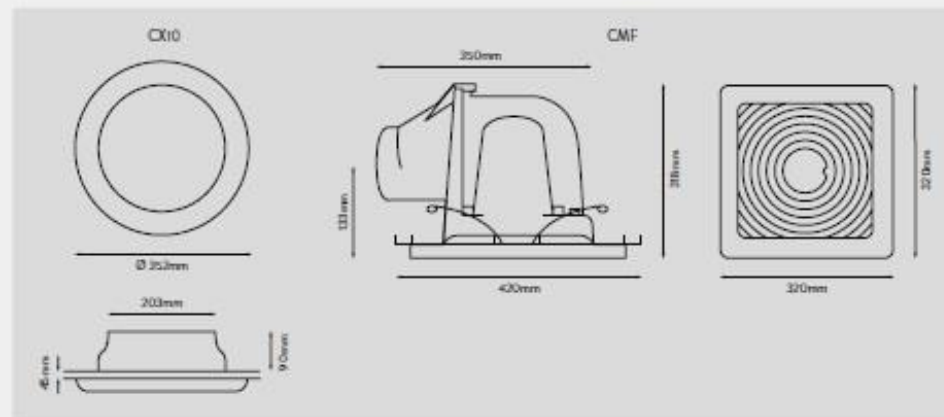


CX10



CMF

The CX10 and CMF are flush-mounted ceiling extract fan units, which come complete with an intake grille finished in white. The CX10 has an integral duct connection spigot (203mmØ), while the CMF has a side entry spigot (150mm Ø) plenum box. Applications include kitchens, larger utility rooms, pub bars, schools and shops.



Product Features	CX10	CMF 271
Reference Number	90209AB	89957AW
Trade Price	£103.72	£168.61
Round	✓	
Square		✓
Axial	✓	
Centrifugal		✓
Standard	✓	✓
Integral Duct Connection Spigot	✓	
Side Entry Spigot		✓
Safety Finger Guard	✓	✓
Integral Fly Guard	✓	✓

Product Selector	CX10	CMF 271
Reference Number	90209AB	89957AW
Electrical Power Rating (W)	34	48
Extract Performance (m ³ /h)	329	286
Extract Performance (Vs)	91	79
Sound Pressure Level (dBA @ 3m)	44	41
Hole Diameter (mm)	300	273 x 273
Ducting Size (mm)	200	150
Weight (kg)	1.8	6.9
UK Guarantee (years)	2	2

