

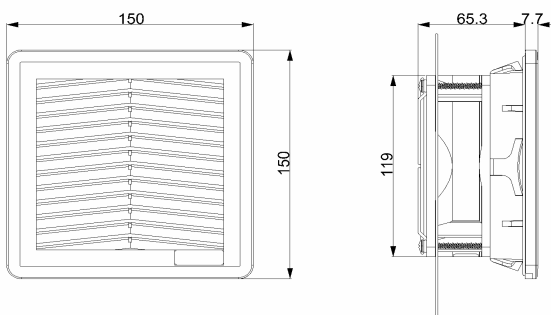
"FF12DN" SERIES FAN FILTERS

Description: **Fan Filter 24/48 Vd.c.**

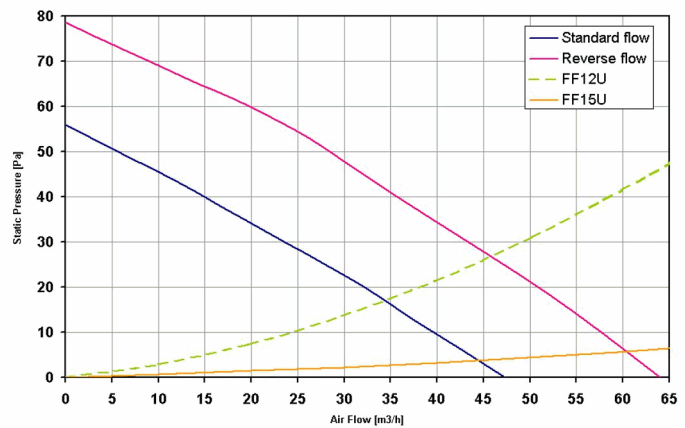
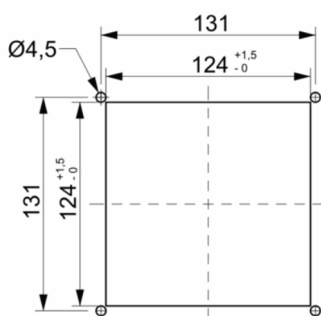


Type of material: PC/ABS Alloy, PA 66 GF13 HSL for elastic clips
Standard color: RAL 7035, other colors on request
Protection degree: IP54, according to EN 60529 standard
 Type 12 according to UL 508 Std
Fixing system: by elastic clips, otherwise by four self-threading screws
Plate thickness: from 1.3 mm to 3.2 mm
Storage temperature: from -40°C to +70°C
Lifetime L10 at 25°C: 100,000 h
Motor protection: auto restart and polarity protection
Electrical connection: UL 1007 AWG24 lead wires
Appliance class: class III
Type of filter media: thermo-linked progressive structure synthetic fibre
Filtering class: class G3, according to EN 779
Degree of separation: 85% - DIN 24185
Dust retention capacity: 600 g/m²
Note: filter media is washable about 10 times
Weight: 0.5 Kg
Approvals: CE, UL E237844, CSA

technical drawing (standard flow)



mounting cut-out



Model	Voltage (V)	Frequency (Hz)	Rated Current (A)	Rated Power (W)	Max Air Flow** (m ³ /h)	Static Pressure (Pa)	Fan Noise [db(A)]	Rated Temp. Range (°C)	Approvals
FF12D24*NR	24 V d.c.	-	0.310	7.4	64	79	42.5	-10 + +55	CE; UR; cCSAus
FF12D24UN	24 V d.c.	-	0.310	7.4	47	56	42.5	-10 + +55	CE; UR; cCSAus
FF12D48UN	48 V d.c.	-	0.180	8.6	47	56	42.5	-10 + +55	CE; UR; cCSAus
FF12D48UNR	48 V d.c.	-	0.180	8.6	64	79	42.5	-10 + +55	CE; UR; cCSAus

data with uncertainty of 15%

All specifications, data and drawing are subject to change without notice and are approximate. Please refer to our terms of sales including our warranty and limited liabilities clause