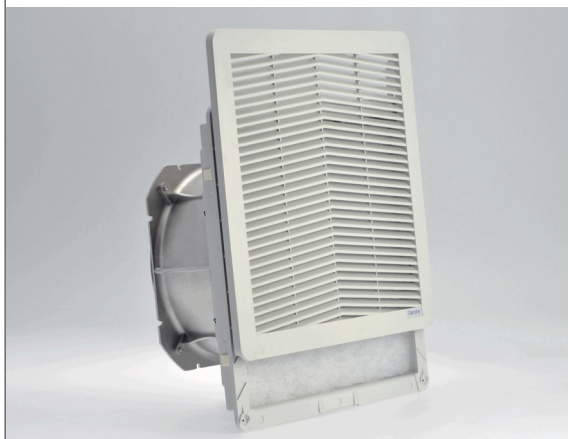


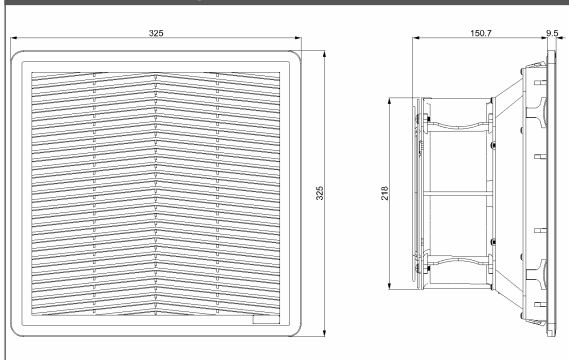
"FF20A" SERIES FAN FILTERS

Description: **Fan Filters 115/230 Va.c.**

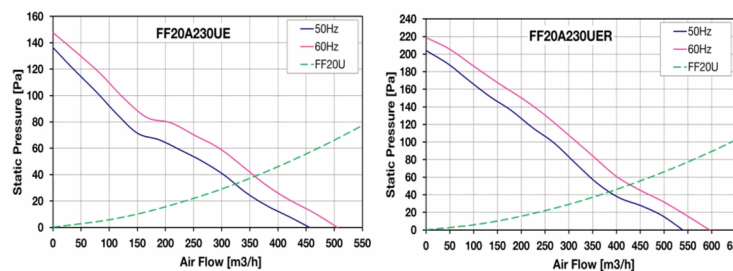
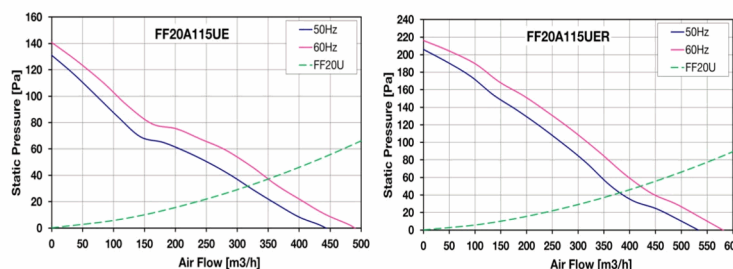
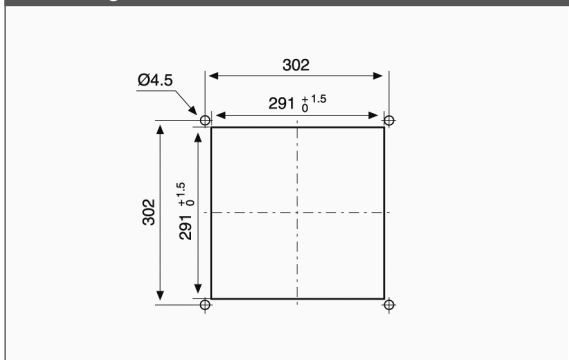


- Type of material:** PC/ABS Alloy, PA 66 GF13 HSL for elastic clips
- Standard color:** RAL 7035, other colors on request
- Protection degree:** IP54, according to EN 60529 standard
- Fixing system:** by elastic clips, otherwise by four self-threading screws
- Plate thickness:** from 1.3 mm to 3.7 mm (up to 4 mm with cut-out max tolerance)
- Storage temperature:** from -30°C to +70°C
- Motor Lifetime L10 at 25°C:** 65,000 h
- Working class of capacitor:** class B
- Motor protection:** thermal
- Electrical connection:** by terminal block 3 poles L-N-PE
- Earth connection:** by terminal block, PE pole
- Appliance class:** class I
- Type of filter media:** thermo-linked progressive structure synthetic fibre
- Filtering class:** class G3, according to EN 779
- Degree of separation:** 85% - DIN 24185
- Dust retention capacity:** 600 g/m²
- Note:** filter media is washable about 10 times
- Weight:** 3.6 kg

technical drawing (standard flow)



mounting cut-out



Model	Voltage	Frequency	Rated Current	Rated Power	Max Air Flow**	Static Pressure	Fan Noise	Rated Temp. Range	Approvals
	(V)	(Hz)	(A)	(W)	(m3/h)	(Pa)	[db(A)]	(°C)	
FF20A115UE	115 V a.c.	50/60	0.70/0.80	77/92	445/490	131/141	66.0/69.2	-10 ÷ +70	CE
FF20A115UER	115 V a.c.	50/60	0.70/0.80	77/92	530/577	206/216	66.0/69.2	-10 ÷ +70	CE
FF20A230UE	230 V a.c.	50/60	0.345/0.420	79/96	460/510	136/148	65.3/68.1	-10 ÷ +70	CE
FF20A230UER	230 V a.c.	50/60	0.345/0.420	79/96	540/595	204/219	65.3/68.1	-10 ÷ +70	CE

data with uncertainty of 15%

All specifications, data and drawing are subject to change without notice and are approximate. Please refer to our terms of sales including our warranty and limited liabilities clause