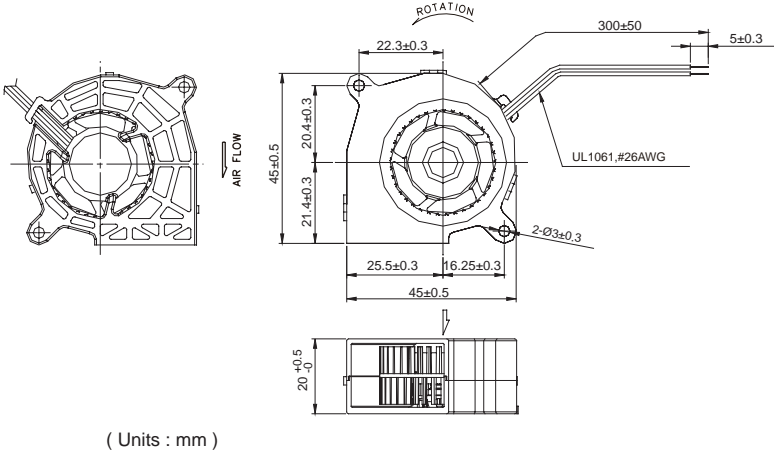
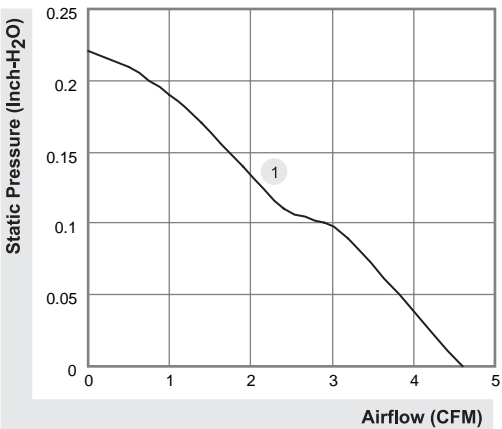


45x45x20 mm

4.6 CFM



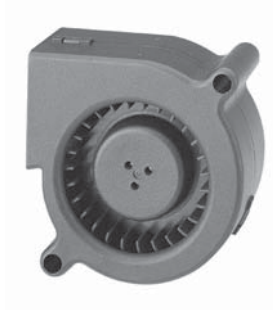
	P/N	Bearing	Rating Voltage (VDC)	Power Current (mA)	Power Consumption (WATTS)	Speed (RPM)	Air Flow (CFM)	Static Pressure (Inch-H ₂ O)	Noise (dBA)	Weight (g)	Curve
GB1245PKV1-8AY	11.Z.X.GN	●	12	40	0.48	3500	4.6	0.22	21	22.64	1




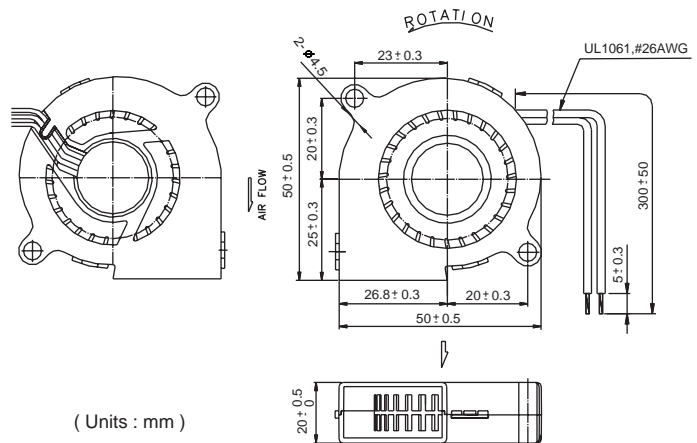
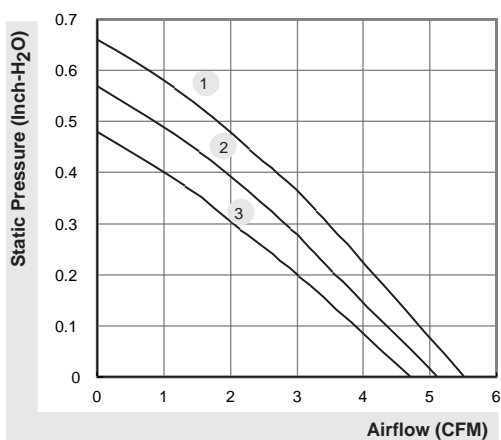
*All model could be customized. Please contact with Sunon Sales.
 *Specifications are subject to change without notice. Please Visit SUNON web site at <http://www.sunon.com> for update information.

50x50x20 mm

4.8~5.7 CFM



	P/N	Bearing	Rating Voltage (VDC)	Power Current (mA)	Power Consumption (WATTS)	Speed (RPM)	Air Flow (CFM)	Static Pressure (Inch-H ₂ O)	Noise (dBA)	Weight (g)	Curve
GB1205PKV1-8AY	GN	●	12	124	1.5	5200	5.7	0.66	35	33	1
GB1205PKV2-8AY	GN	●	12	104	1.3	4800	5.2	0.56	33	33	2
GB1205PKV3-8AY	GN	●	12	88	1.1	4400	4.8	0.46	30	33	3



*All model could be customized. Please contact with Sunon Sales.

*Specifications are subject to change without notice. Please Visit SUNON web site at <http://www.sunon.com> for update information.

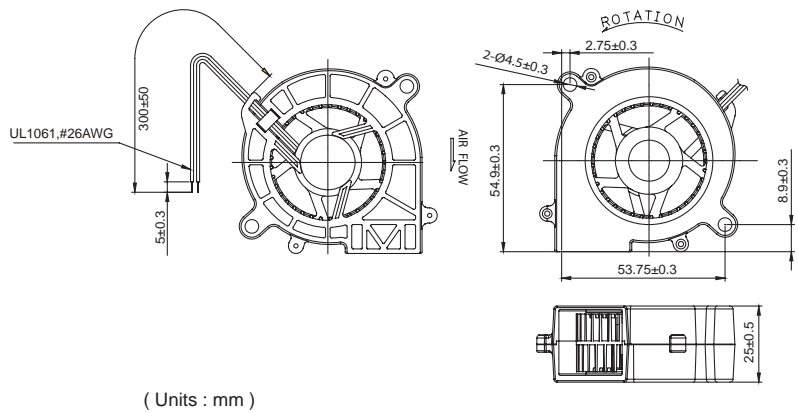
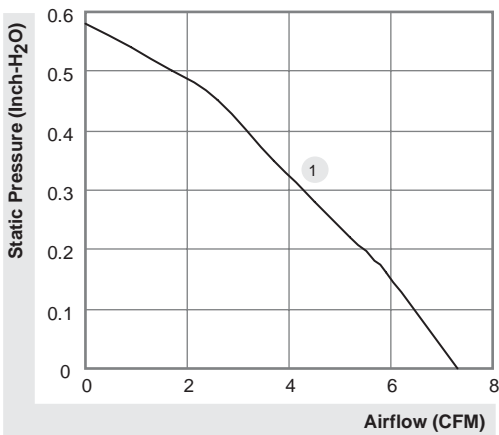
60x60x25 mm



7.3 CFM



	P/N	Bearing	Rating Voltage	Power Current	Power Consumption	Speed	Air Flow	Static Pressure	Noise	Weight	Curve
		● VAPO ●	(VDC)	(mA)	(WATTS)	(RPM)	(CFM)	(Inch-H ₂ O)	(dBA)	(g)	
GB1206PTV2-AY	13.Z.X.GN	●	12	140	1.7	3600	7.3	0.58	32.4	55	1



*All model could be customized. Please contact with Sunon Sales.

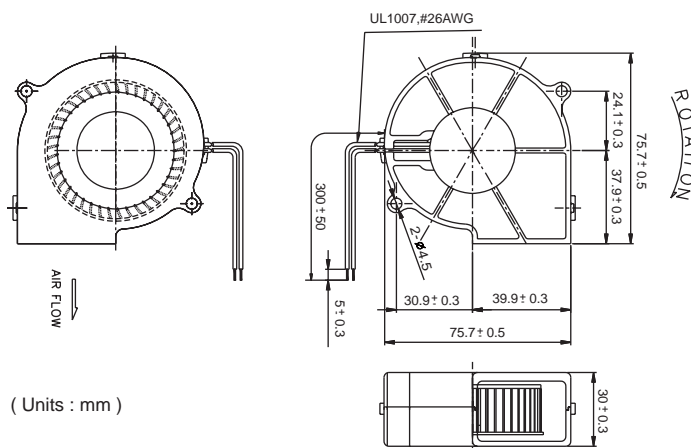
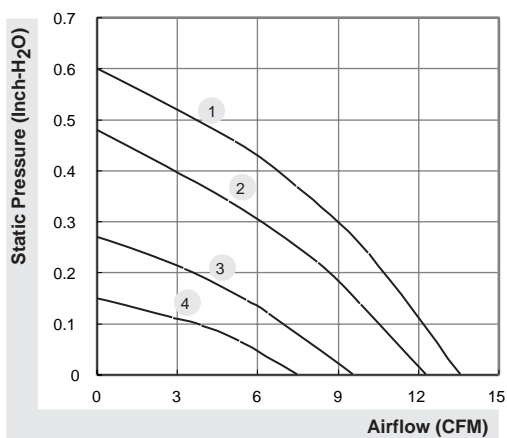
*Specifications are subject to change without notice. Please Visit SUNON web site at <http://www.sunon.com> for update information.

75x75x30 mm

7.5~13.6 CFM



Model	P/N	Bearing ● 2BALL ○ Sleeve	Rating Voltage (VDC)	Power Current (mA)	Power Consumption (WATTS)	Speed (RPM)	Air Flow (CFM)	Static Pressure (Inch-H ₂ O)	Noise (dBA)	Weight (g)	Curve
PMB1275PNB1-AY	(2).GN	●	12	300	3.6	3400	13.6	0.60	43.5	86.5	1
PMB1275PNB2-AY	(2).GN	●	12	230	2.8	3000	12.3	0.48	40.5	86.5	2
PMB1275PNB3-AY	(2).GN	●	12	130	1.6	2400	9.6	0.27	33.9	86.5	3
PMB1275PNB4-AY	(2).GN	●	12	80	1.0	1900	7.5	0.15	28.0	86.5	4
PMB2475PNB1-AY	(2).GN	●	24	170	4.1	3400	13.6	0.60	43.5	86.5	1
PMB2475PNB2-AY	(2).GN	●	24	140	3.4	3000	12.3	0.48	40.5	86.5	2
PMB2475PNB3-AY	(2).GN	●	24	80	1.9	2400	9.6	0.27	33.9	86.5	3
PMB2475PNB4-AY	(2).GN	●	24	50	1.2	1900	7.5	0.15	28.0	86.5	4



*All model could be customized. Please contact with Sunon Sales.

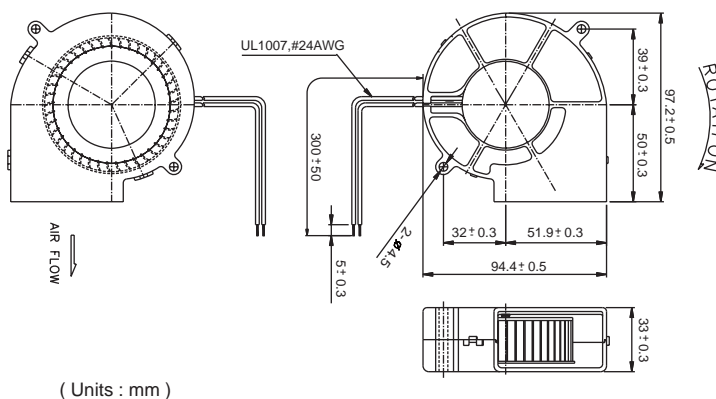
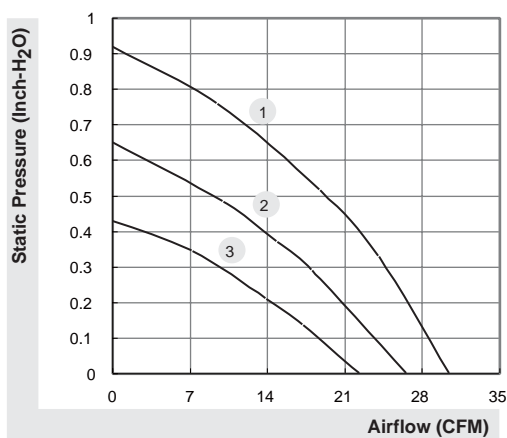
*Specifications are subject to change without notice. Please Visit SUNON web site at <http://www.sunon.com> for update information.

97x94x33 mm

22.4~30.5 CFM



Model	P/N	Bearing ● 2BALL ○ Sleeve	Rating Voltage (VDC)	Power Current (mA)	Power Consumption (WATTS)	Speed (RPM)	Air Flow (CFM)	Static Pressure (Inch-H ₂ O)	Noise (dBA)	Weight (g)	Curve
PMB1297PYB3-AY	(2).GN	●	12	300	3.6	2700	22.4	0.43	50.0	185	3
PMB4897PYB2-AY	(2).GN	●	48	130	6.2	3200	26.6	0.65	53.1	185	2
PMB4897PYB3-AY	(2).GN	●	48	90	4.3	2700	22.4	0.43	50.0	185	3

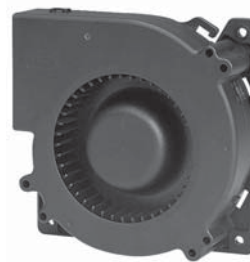


*All model could be customized. Please contact with Sunon Sales.

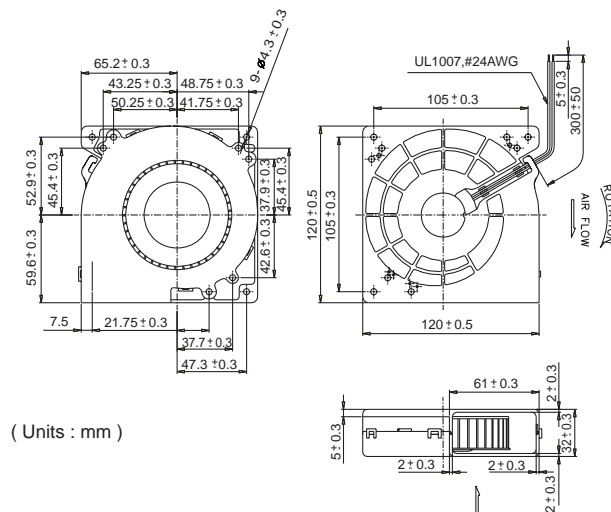
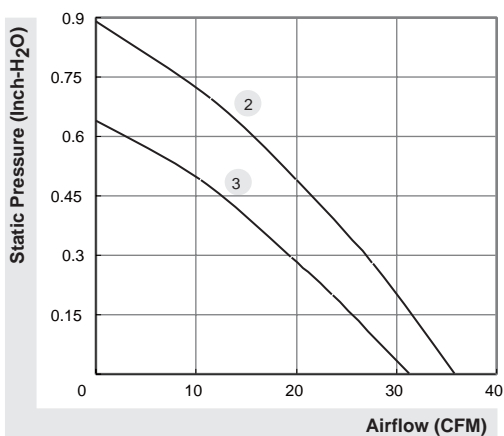
*Specifications are subject to change without notice. Please Visit SUNON web site at <http://www.sunon.com> for update information.

120x120x32 mm

31.4~35.9 CFM



Model	P/N	Bearing ● 2BALL ○ Sleeve	Rating Voltage (VDC)	Power Current (mA)	Power Consumption (WATTS)	Speed (RPM)	Air Flow (CFM)	Static Pressure (Inch-H ₂ O)	Noise (dBA)	Weight (g)	Curve
PMB1212PLB2-A	(2).GN	●	12	820	9.8	2500	35.9	0.89	53.8	250	1
PMB1212PLB3-A	(2).GN	●	12	450	5.4	2100	31.4	0.64	49.6	250	2
PMB2412PLB2-A	(2).GN	●	24	380	9.1	2500	35.9	0.89	53.8	250	1
PMB2412PLB3-A	(2).GN	●	24	240	5.8	2100	31.4	0.64	49.6	250	2
PMB4812PLB3-A	(2).GN	●	48	120	5.8	2100	31.4	0.64	49.6	250	2



*All model could be customized. Please contact with Sunon Sales.

*Specifications are subject to change without notice. Please Visit SUNON web site at <http://www.sunon.com> for update information.