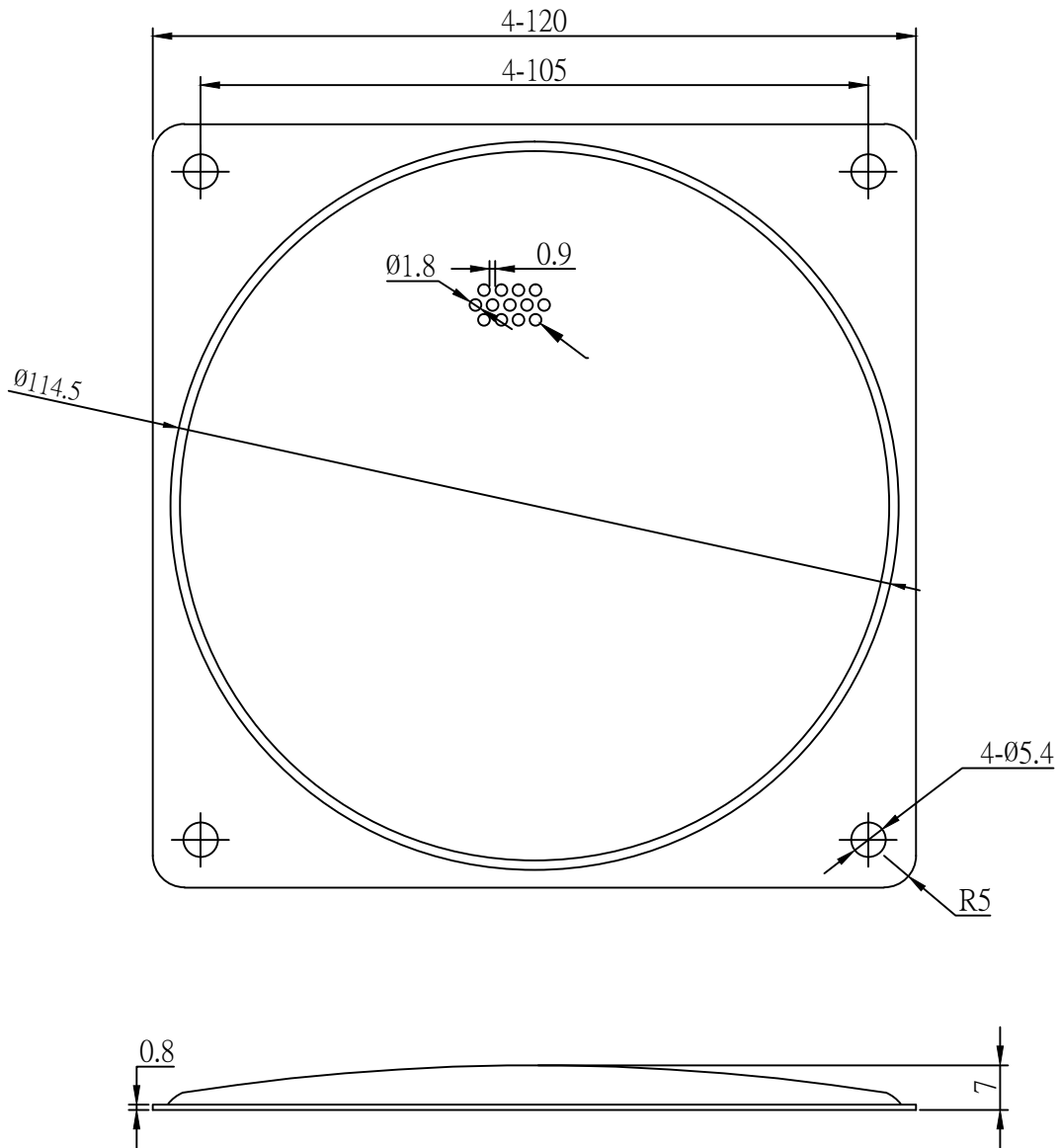


EDITION	DATE	REVISION RECORD	REVISION NO.	APPROVED



NOTES:

1. MATERIAL: SPCC T=0.8mm
2. FINISH: BLACK ED.
3. GENERAL TOLERANCE UNLESS NOTED: ± 0.5 mm.
4. UNIT: mm.

DO NOT SCALE DRAWING				CUSTOMER PART NO.	
DRAWN BY	CHECKED	APPROVED	SCALE		PN-12
			DRAWING DATE	MATERIAL	
			2012.09.18	FINISH	